

DIMENSIONAL DATA

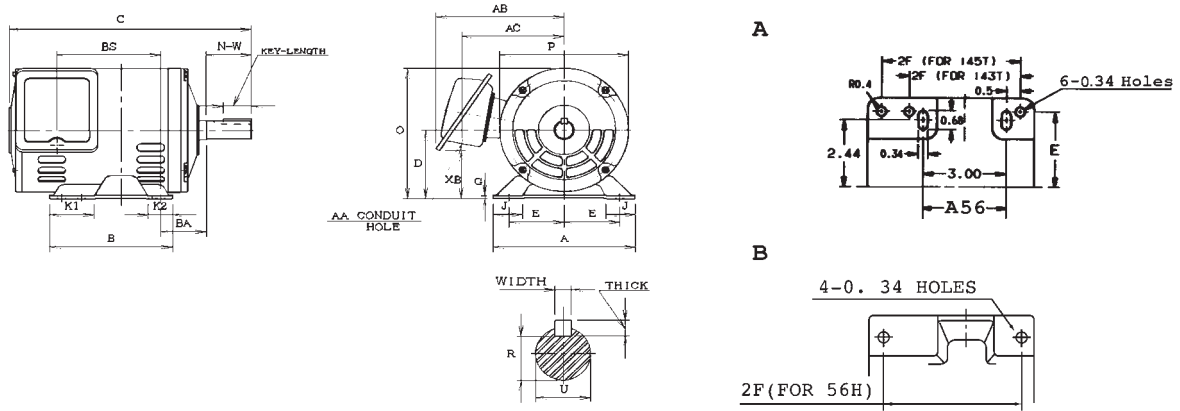


Figure 1

Frame Size	Key Type	Figure No.	A	B	C	D	E	2F	G	J	K1	K2	O	P
A56	ASGA	1A	6.5	6	10.86	3.5	2.44	3	0.16	1.5	2.5	1.5	6.69	6.4
B56	ASGA	1A	6.5	6	11.85	3.5	2.44	3	0.16	1.5	2.5	1.5	6.69	6.4
C56HZ	ASGA	1B	6.5	6	13.4	3.5	2.44	5	0.16	1.5	2.5	1.5	6.69	6.4
143T	ASGANE	1A	6.5	6	11.23	3.5	2.75	4	0.16	1.5	2.5	1.5	6.69	6.4
145T	ASGANE	1A	6.5	6	12.22	3.5	2.75	5	0.16	1.5	2.5	1.5	6.69	6.4

Frame Size	Figure No.	BA	BS	Key			Key Seat R	Terminal Housing				Shaft Extension		Bearing	
				Width	Thick	Length		AA	AB	AC	XB	N-W	U	Drive End	Non Drive End
A56	1A	2.75	3.9	0.188	0.188	1.41	0.517	0.866	6.38	5	2.37	1.875	0.625	6205ZZ	6204ZZ
B56	1A	2.75	4.9	0.188	0.188	1.41	0.517	0.866	6.38	5	2.37	1.875	0.625	6205ZZ	6204ZZ
C56HZ	1B	2.75	6.00	0.188	0.188	1.41	0.771	0.866	6.38	5	2.37	2.25	0.875	6206ZZ	6204ZZ
143T	1A	2.25	4.37	0.188	0.188	1.41	0.771	1.1	6.38	5	2.37	2.25	0.875	6205ZZ	6204ZZ
145T	1A	2.25	5.32	0.188	0.188	1.41	0.771	1.1	6.38	5	2.37	2.25	0.875	6205ZZ	6204ZZ

- Note:
1. Tolerance of U: +0,-0.0005
 2. Tolerance of D: +0,-0.03
 3. Tolerance of R: +0,-0.15

DIMENSIONAL DATA

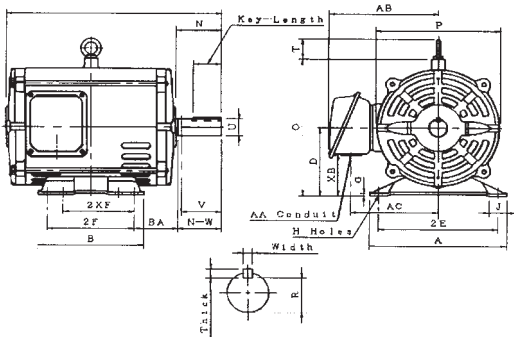


Figure 2

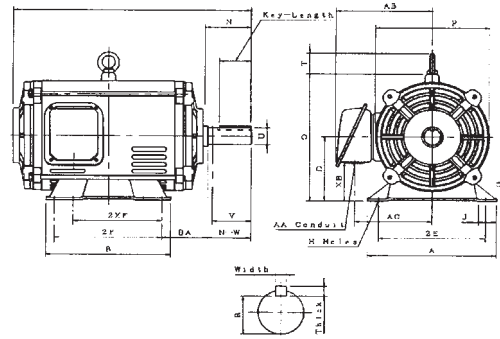


Figure 3

Frame Size	Type	Figure No.	A	B	C	D	2E	2F	2XF	H	BA	G	J	N	O
182T	ASGANE	2	8.66	6.68	13.61	4.5	7.5	-	4.5	0.41	2.75	0.16	1.22	2.89	9.04
184T	ASGANE	2	8.66	6.68	13.61	4.5	7.5	5.5	-	0.41	2.75	0.16	1.22	2.89	9.04
213T	ASGANE	2	9.7	8.2	17.19	5.25	8.5	-	5.5	0.41	3.50	0.18	1.22	3.56	10.57
215T	ASGANE	2	9.7	8.2	17.19	5.25	8.5	7.0	-	0.41	3.50	0.18	1.22	3.56	10.57
254T	ASGANE	3	12.05	11.57	22.29	6.25	10.0	-	8.25	0.53	4.25	0.24	1.65	4.43	12.55
256T	ASGANE	3	12.05	11.57	22.29	6.25	10.0	10.0	-	0.53	4.25	0.24	1.65	4.43	12.55
284T	ASGANE	3	12.76	12.76	24.67	7.0	11.0	-	9.5	0.53	4.75	0.24	1.65	5.08	14.28
284TS	ASGANE	3	12.76	12.76	23.3	7.0	11.0	-	9.5	0.53	4.75	0.24	1.65	3.71	14.28
286T	ASGANE	3	12.76	12.76	24.67	7.0	11.0	11.0	-	0.53	4.75	0.24	1.65	5.08	14.28
286TS	ASGANE	3	12.76	12.76	23.3	7.0	11.0	11.0	-	0.53	4.75	0.24	1.65	3.71	14.28

Frame Size	Figure No.	P	T	Key			Key Seat R	Terminal Housing				Shaft Extension			Bearing	
				Width	Thick	Length		AA	AB	AC	XB	N-W	U	V	Drive End	Non Drive End
182T	2	7.73	1.31	0.25	0.25	1.78	0.986	1.1	6.89	5.51	2.77	2.75	1.125	2.7	6206ZZC3	6205ZZC3
184T	2	7.73	1.31	0.25	0.25	1.78	0.986	1.1	6.89	5.51	2.77	2.75	1.125	2.7	6206ZZC3	6205ZZC3
213T	2	8.98	1.63	0.312	0.312	2.41	1.201	1.38	8.29	6.5	2.81	3.38	1.375	3.3	6208ZZC3	6206ZZC3
215T	2	8.98	1.63	0.312	0.312	2.41	1.201	1.38	8.29	6.5	2.81	3.38	1.375	3.3	6208ZZC3	6206ZZC3
254T	3	10.79	2.0	0.375	0.375	2.91	1.416	1.38	8.99	7.2	3.81	4.0	1.625	3.9	6309ZZC3	6208ZZC3
256T	3	10.79	2.0	0.375	0.375	2.91	1.416	1.38	8.99	7.2	3.81	4.0	1.625	3.9	6309ZZC3	6208ZZC3
284T	3	12.4	2.36	0.5	0.5	3.28	1.519	2.05	10.43	8.27	4.2	4.62	1.875	4.5	6311ZZC3	6211ZZC3
284TS	3	12.4	2.36	0.375	0.375	1.93	1.416	2.05	10.43	8.27	4.2	3.25	1.625	3.2	6311ZZC3	6211ZZC3
286T	3	12.4	2.36	0.5	0.5	3.28	1.519	2.05	10.43	8.27	4.2	4.62	1.875	4.5	6311ZZC3	6211ZZC3
286TS	3	12.4	2.36	0.375	0.375	1.93	1.416	2.05	10.43	8.27	4.2	3.25	1.625	3.2	6311ZZC3	6211ZZC3

- Note:
1. Tolerance of U: +0,-0.0005
 2. Tolerance of D: +0,-0.03
 3. Tolerance of R: +0,-0.15