

# MAX-E1<sup>®</sup> MOTOR DIMENSIONS TYPE AEHE

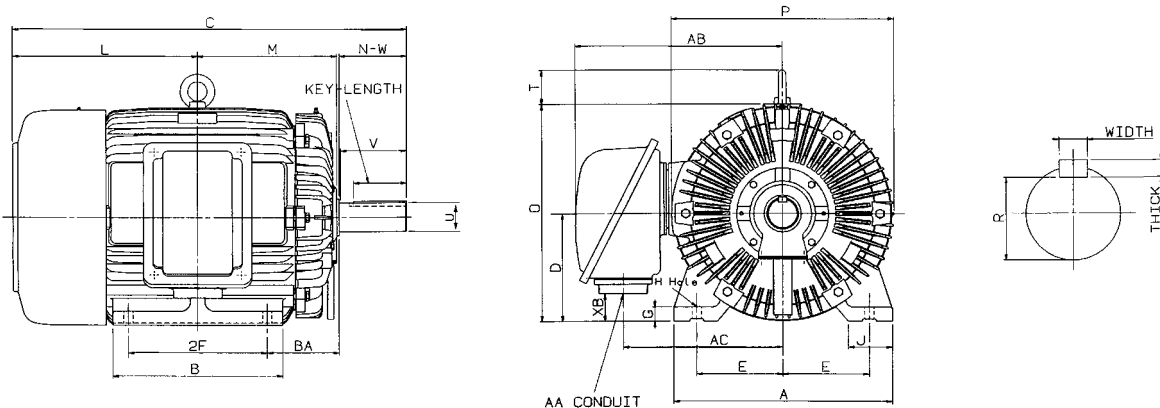


Figure 1

| FRAME SIZE         | FIGURE NO. | MOUNTING |       |      |       | A     | B     | C     | D     | G    | J    | L     | M     | O     | P     | K     |
|--------------------|------------|----------|-------|------|-------|-------|-------|-------|-------|------|------|-------|-------|-------|-------|-------|
|                    |            | E        | 2F    | H    | BA    |       |       |       |       |      |      |       |       |       |       |       |
| 143T               | 1          | 2.75     | 4.00  | 0.34 | 2.25  | 6.70  | 5.10  | 12.33 | 3.50  | 0.35 | 1.40 | 5.83  | 4.03  | 7.45  | 7.87  | -     |
| 145T               | 1          | 2.75     | 5.00  | 0.34 | 2.25  | 6.70  | 5.90  | 13.92 | 3.50  | 0.35 | 1.40 | 6.32  | 4.53  | 7.45  | 7.87  | -     |
| 182T               | 1          | 3.75     | 4.50  | 0.41 | 2.75  | 8.80  | 5.90  | 14.71 | 4.50  | 0.65 | 1.75 | 6.96  | 4.87  | 9.15  | 9.37  | -     |
| 184T               | 1          | 3.75     | 5.50  | 0.41 | 2.75  | 8.80  | 6.90  | 15.73 | 4.50  | 0.65 | 1.75 | 7.48  | 5.37  | 9.15  | 9.37  | -     |
| 213T               | 1          | 4.25     | 5.50  | 0.41 | 3.50  | 9.85  | 6.90  | 17.98 | 5.25  | 0.70 | 1.75 | 8.35  | 6.10  | 10.60 | 10.75 | -     |
| 215T               | 1          | 4.25     | 7.00  | 0.41 | 3.50  | 9.85  | 8.35  | 19.47 | 5.25  | 0.70 | 1.75 | 9.09  | 6.85  | 10.60 | 10.75 | -     |
| 254T               | 1          | 5.00     | 8.25  | 0.53 | 4.25  | 11.80 | 9.85  | 23.70 | 6.25  | 0.65 | 1.95 | 11.33 | 8.06  | 12.80 | 13.15 | -     |
| 256T               | 1          | 5.00     | 10.00 | 0.53 | 4.25  | 11.80 | 11.80 | 25.43 | 6.25  | 0.65 | 1.95 | 12.18 | 8.93  | 12.80 | 13.15 | -     |
| 284T               | 1          | 5.50     | 9.50  | 0.53 | 4.75  | 14.00 | 11.70 | 26.80 | 7.00  | 0.70 | 2.95 | 12.68 | 9.23  | 14.50 | 15.05 | -     |
| 284TS              | 1          | 5.50     | 9.50  | 0.53 | 4.75  | 14.00 | 11.70 | 25.43 | 7.00  | 0.70 | 2.95 | 12.68 | 9.30  | 14.50 | 15.05 | -     |
| 286T               | 1          | 5.50     | 11.00 | 0.53 | 4.75  | 14.00 | 13.20 | 28.30 | 7.00  | 0.70 | 2.95 | 13.43 | 9.98  | 14.50 | 15.05 | -     |
| 286TS              | 1          | 5.50     | 11.00 | 0.53 | 4.75  | 14.00 | 13.20 | 26.93 | 7.00  | 0.70 | 2.95 | 13.43 | 10.05 | 14.50 | 15.05 | -     |
| 324T               | 1          | 6.25     | 10.50 | 0.66 | 5.25  | 15.75 | 12.80 | 29.93 | 8.00  | 1.10 | 3.15 | 14.18 | 10.29 | 16.20 | 16.55 | -     |
| 324TS              | 1          | 6.25     | 10.50 | 0.66 | 5.25  | 15.75 | 12.80 | 28.43 | 8.00  | 1.10 | 3.15 | 14.18 | 10.29 | 16.20 | 16.55 | -     |
| 326T               | 1          | 6.25     | 12.00 | 0.66 | 5.25  | 15.75 | 14.35 | 31.42 | 8.00  | 1.10 | 3.15 | 14.92 | 11.04 | 16.20 | 16.55 | -     |
| 326TS              | 1          | 6.25     | 12.00 | 0.66 | 5.25  | 15.75 | 14.35 | 29.92 | 8.00  | 1.10 | 3.15 | 14.92 | 11.04 | 16.20 | 16.55 | -     |
| 364T               | 1          | 7.00     | 11.25 | 0.66 | 5.88  | 17.70 | 13.75 | 32.57 | 9.00  | 1.30 | 3.55 | 15.19 | 11.29 | 17.80 | 18.15 | -     |
| 364TS              | 1          | 7.00     | 11.25 | 0.66 | 5.88  | 17.70 | 13.75 | 30.44 | 9.00  | 1.30 | 3.55 | 15.19 | 11.29 | 17.80 | 18.15 | -     |
| 365T               | 1          | 7.00     | 12.25 | 0.66 | 5.88  | 17.70 | 14.75 | 33.55 | 9.00  | 1.30 | 3.55 | 15.67 | 11.79 | 17.80 | 18.15 | -     |
| 365TS              | 1          | 7.00     | 12.25 | 0.66 | 5.88  | 17.70 | 14.75 | 31.42 | 9.00  | 1.30 | 3.55 | 15.67 | 11.79 | 17.80 | 18.15 | -     |
| 404T               | 1          | 8.00     | 12.25 | 0.81 | 6.62  | 19.68 | 15.16 | 36.30 | 10.00 | 1.57 | 3.94 | 16.30 | 12.52 | 20.00 | 20.08 | -     |
| 405T               | 1          | 8.00     | 13.75 | 0.81 | 6.62  | 19.68 | 16.73 | 37.80 | 10.00 | 1.57 | 3.94 | 17.05 | 13.27 | 20.00 | 20.08 | -     |
| 405TS              | 1          | 8.00     | 13.75 | 0.81 | 6.62  | 19.68 | 16.73 | 34.80 | 10.00 | 1.57 | 3.94 | 17.05 | 13.27 | 20.00 | 20.08 | -     |
| 444T               | 1          | 9.00     | 14.50 | 0.81 | 7.50  | 22.05 | 17.50 | 42.05 | 11.00 | 1.40 | 4.35 | 18.80 | 14.30 | 22.45 | 23.30 | 4.35  |
| 444TS              | 1          | 9.00     | 14.50 | 0.81 | 7.50  | 22.05 | 17.50 | 38.30 | 11.00 | 1.40 | 4.35 | 18.80 | 14.30 | 22.45 | 23.30 | 4.35  |
| 445T               | 1          | 9.00     | 16.50 | 0.81 | 7.50  | 22.05 | 19.50 | 44.05 | 11.00 | 1.40 | 4.35 | 19.80 | 15.25 | 22.45 | 23.30 | 4.35  |
| 445TS              | 1          | 9.00     | 16.50 | 0.81 | 7.50  | 22.05 | 19.50 | 40.30 | 11.00 | 1.40 | 4.35 | 19.80 | 15.25 | 22.45 | 23.30 | 4.35  |
| 447T               | 1          | 9.00     | 20.00 | 0.81 | 7.50  | 22.05 | 23.25 | 47.75 | 11.00 | 1.40 | 4.35 | 21.75 | 17.35 | 23.55 | 25.65 | 4.35  |
| 447TS              | 1          | 9.00     | 20.00 | 0.81 | 7.50  | 22.05 | 23.25 | 44.00 | 11.00 | 1.40 | 4.35 | 21.75 | 17.15 | 23.55 | 25.65 | 4.35  |
| 449T               | 1          | 9.00     | 25.00 | 0.81 | 7.50  | 22.05 | 27.95 | 52.75 | 11.00 | 1.40 | 4.35 | 24.25 | 19.85 | 23.55 | 25.65 | 4.35  |
| 449TS              | 1          | 9.00     | 25.00 | 0.81 | 7.50  | 22.05 | 27.95 | 49.00 | 11.00 | 1.40 | 4.35 | 24.25 | 19.65 | 23.55 | 25.65 | 4.35  |
| **449T             | 2          | 9.00     | 25.00 | 0.81 | 7.50  | 22.05 | 33.05 | 58.63 | 11.00 | 1.20 | 4.35 | 28.05 | 20.67 | 22.60 | 25.45 | 6.70  |
| **449TS            | 2          | 9.00     | 25.00 | 0.81 | 7.50  | 22.05 | 33.05 | 54.88 | 11.00 | 1.20 | 4.35 | 29.05 | 20.47 | 22.60 | 25.45 | 6.70  |
| 5009A              | 2          | 10.00    | 28.00 | 0.94 | 8.50  | 25.60 | 34.65 | 67.80 | 12.50 | 1.85 | 5.90 | 39.55 | 21.90 | 26.65 | 28.75 | 7.10  |
| 5011A              | 2          | 10.00    | 36.00 | 0.94 | 8.50  | 25.60 | 42.50 | 75.75 | 12.50 | 1.85 | 5.90 | 43.50 | 25.80 | 26.65 | 28.75 | 7.10  |
| 5810A              | 2          | 11.50    | 36.00 | 1.13 | 10.00 | 29.55 | 44.10 | 80.80 | 14.50 | 1.70 | 5.90 | 47.05 | 26.95 | 30.90 | 33.85 | 9.65  |
| 5007C <sup>1</sup> | 2          | 10.00    | 22.00 | 0.94 | 8.50  | 25.60 | 28.75 | 63.77 | 12.50 | 1.85 | 5.90 | 32.65 | 19.15 | 26.65 | 28.75 | 7.10  |
| 5007C <sup>2</sup> | 2          | 10.00    | 22.00 | 0.94 | 8.50  | 25.60 | 28.75 | 62.22 | 12.50 | 1.85 | 5.90 | 31.10 | 19.15 | 26.65 | 28.75 | 7.10  |
| 5009C <sup>1</sup> | 2          | 10.00    | 28.00 | 0.94 | 8.50  | 25.60 | 34.65 | 69.72 | 12.50 | 1.85 | 5.90 | 35.60 | 22.00 | 26.65 | 28.75 | 7.10  |
| 5009C <sup>2</sup> | 2          | 10.00    | 28.00 | 0.94 | 8.50  | 25.60 | 34.65 | 68.17 | 12.50 | 1.85 | 5.90 | 34.05 | 22.00 | 26.65 | 28.75 | 7.10  |
| 5011B <sup>1</sup> | 2          | 10.00    | 36.00 | 0.94 | 8.50  | 25.60 | 42.50 | 77.67 | 12.50 | 1.85 | 5.90 | 39.55 | 26.00 | 26.65 | 28.75 | 7.10  |
| 5011B <sup>2</sup> | 2          | 10.00    | 36.00 | 0.94 | 8.50  | 25.60 | 42.50 | 76.12 | 12.50 | 1.85 | 5.90 | 38.00 | 26.00 | 26.65 | 28.75 | 7.10  |
| 5808B <sup>1</sup> | 2          | 11.50    | 28.00 | 1.13 | 10.00 | 29.55 | 36.60 | 73.48 | 14.50 | 1.70 | 5.90 | 37.60 | 23.40 | 30.90 | 33.85 | 9.65  |
| 5808B <sup>2</sup> | 2          | 11.50    | 28.00 | 1.13 | 10.00 | 29.55 | 36.60 | 73.28 | 14.50 | 1.70 | 5.90 | 37.40 | 23.40 | 30.90 | 33.85 | 9.65  |
| 5808B <sup>3</sup> | 2          | 11.50    | 28.00 | 1.13 | 10.00 | 29.55 | 36.60 | 73.08 | 14.50 | 1.70 | 5.90 | 37.20 | 23.40 | 30.90 | 33.85 | 9.65  |
| 5810B <sup>1</sup> | 2          | 11.50    | 36.00 | 1.13 | 10.00 | 29.55 | 44.10 | 81.23 | 14.50 | 1.70 | 5.90 | 41.35 | 27.20 | 30.90 | 33.85 | 9.65  |
| 5810B <sup>2</sup> | 2          | 11.50    | 36.00 | 1.13 | 10.00 | 29.55 | 44.10 | 81.03 | 14.50 | 1.70 | 5.90 | 41.15 | 27.20 | 30.90 | 33.85 | 9.65  |
| 5810B <sup>3</sup> | 2          | 11.50    | 36.00 | 1.13 | 10.00 | 29.55 | 44.10 | 80.83 | 14.50 | 1.70 | 5.90 | 40.95 | 27.20 | 30.90 | 33.85 | 9.65  |
| 6808B <sup>1</sup> | 2          | 13.50    | 36.00 | 1.38 | 11.50 | 35.00 | 48.45 | 87.28 | 17.00 | 2.00 | 7.10 | 45.90 | 28.70 | 35.70 | 38.80 | 10.65 |
| 6808B <sup>2</sup> | 2          | 13.50    | 36.00 | 1.38 | 11.50 | 35.00 | 48.45 | 86.08 | 17.00 | 2.00 | 7.10 | 44.70 | 28.70 | 35.70 | 38.80 | 10.65 |

- Note:
1. Dimension D tolerance: +0.000 inch - 0.03 inch (143T-365T); +0.000 inch - 0.06 (404T-449T).
  2. Dimension U tolerance: +0.000 inch - 0.0005 inch (143T-215T); +0.000 inch - 0.001 (254T-449T).
  3. Dimension R tolerance: +0.000 inch - 0.015 inch.
  4. Bearing with mark \*: Grease pre-packed shielded rolling bearings.
  5. \*\*Overall Dimensions are larger than standard T-Frames.
  6. Superscript numbers after frame size indicates number of poles.

# MAX-E1<sup>®</sup> MOTOR DIMENSIONS TYPE AEHE

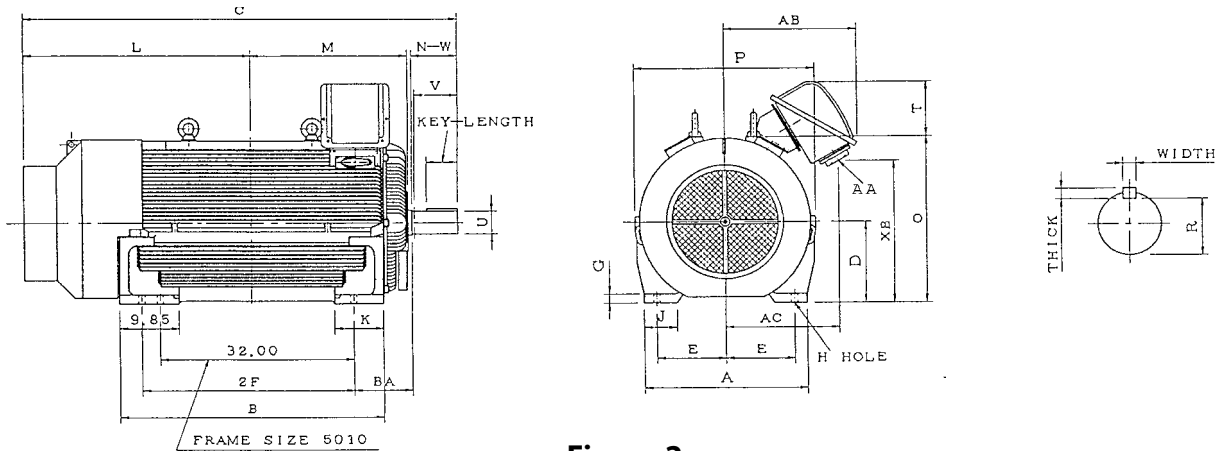


Figure 2

| FRAME NO.          | T     | KEY   |       |        | KEY SEAT R | TERMINAL HOUSING |       |       |       | SHAFT EXTENSIONS |       |       | BEARINGS  |               |
|--------------------|-------|-------|-------|--------|------------|------------------|-------|-------|-------|------------------|-------|-------|-----------|---------------|
|                    |       | WIDTH | THICK | LENGTH |            | AA               | AB    | AC    | XB    | N-W              | U     | V     | DRIVE END | NON-DRIVE END |
| 143T               | na    | 0.188 | 0.188 | 1.14   | 0.771      | 0.5              | 7.56  | 5.63  | 0.86  | 2.25             | 0.875 | 2.20  | *6205ZZ   | *6205ZZ       |
| 145T               | na    | 0.188 | 0.188 | 1.14   | 0.771      | 0.5              | 7.56  | 5.63  | 0.86  | 2.25             | 0.875 | 2.20  | *6205ZZ   | *6205ZZ       |
| 182T               | 1.30  | 0.250 | 0.250 | 1.78   | 0.986      | 0.5              | 8.35  | 6.38  | 1.86  | 2.75             | 1.125 | 2.70  | *6306ZZ   | *6306ZZ       |
| 184T               | 1.30  | 0.250 | 0.250 | 1.78   | 0.986      | 0.5              | 8.35  | 6.38  | 1.86  | 2.75             | 1.125 | 2.70  | *6306ZZ   | *6306ZZ       |
| 213T               | 1.65  | 0.312 | 0.312 | 2.41   | 1.201      | 1.0              | 9.78  | 7.34  | 2.34  | 3.38             | 1.375 | 3.30  | *6308ZZ   | *6306ZZ       |
| 215T               | 1.65  | 0.312 | 0.312 | 2.41   | 1.201      | 1.0              | 9.78  | 7.34  | 2.34  | 3.38             | 1.375 | 3.30  | *6308ZZ   | *6306ZZ       |
| 254T               | 2.00  | 0.375 | 0.375 | 2.91   | 1.416      | 1.0              | 11.30 | 8.86  | 3.22  | 4.00             | 1.625 | 3.90  | *6309ZZ   | *6307ZZ       |
| 256T               | 2.00  | 0.375 | 0.375 | 2.91   | 1.416      | 1.0              | 11.30 | 8.86  | 3.22  | 4.00             | 1.625 | 3.90  | *6309ZZ   | *6307ZZ       |
| 284T               | 2.00  | 0.500 | 0.500 | 3.28   | 1.591      | 1.0              | 12.28 | 9.84  | 3.97  | 4.62             | 1.875 | 4.50  | *6311ZZ   | *6310ZZ       |
| 284TS              | 2.00  | 0.375 | 0.375 | 1.93   | 1.416      | 1.0              | 12.28 | 9.84  | 3.97  | 3.25             | 1.625 | 3.20  | 6211ZZC3  | 6211ZZC3      |
| 286T               | 2.00  | 0.500 | 0.500 | 3.28   | 1.591      | 1.0              | 12.28 | 9.84  | 3.97  | 4.62             | 1.875 | 4.50  | *6311ZZ   | *6310ZZ       |
| 286TS              | 2.00  | 0.375 | 0.375 | 1.93   | 1.416      | 1.0              | 12.28 | 9.84  | 3.97  | 3.25             | 1.625 | 3.20  | 6211ZZC3  | 6211ZZC3      |
| 324T               | 2.35  | 0.500 | 0.500 | 3.91   | 1.845      | 2.0              | 14.72 | 11.30 | 3.59  | 5.25             | 2.125 | 5.15  | 6312      | 6212          |
| 324TS              | 2.35  | 0.500 | 0.500 | 2.03   | 1.591      | 2.0              | 14.72 | 11.30 | 3.59  | 3.75             | 1.875 | 3.65  | 6312C3    | 6212C3        |
| 326T               | 2.35  | 0.500 | 0.500 | 3.91   | 1.845      | 2.0              | 14.72 | 11.30 | 3.59  | 5.25             | 2.125 | 5.15  | 6312      | 6212          |
| 326TS              | 2.35  | 0.500 | 0.500 | 2.03   | 1.591      | 2.0              | 14.72 | 11.30 | 3.59  | 3.75             | 1.875 | 3.65  | 6312C3    | 6212C3        |
| 364T               | 2.80  | 0.625 | 0.625 | 4.28   | 2.021      | 3.0              | 16.81 | 12.99 | 2.39  | 5.88             | 2.375 | 5.75  | 6313      | 6213          |
| 364TS              | 2.80  | 0.500 | 0.500 | 2.03   | 1.591      | 3.0              | 16.81 | 12.99 | 2.39  | 3.75             | 1.875 | 3.65  | 6312C3    | 6212C3        |
| 365T               | 2.80  | 0.625 | 0.625 | 4.28   | 2.021      | 3.0              | 16.81 | 12.99 | 2.39  | 5.88             | 2.375 | 5.75  | 6313      | 6213          |
| 365TS              | 2.80  | 0.500 | 0.500 | 2.03   | 1.591      | 3.0              | 16.81 | 12.99 | 2.39  | 3.75             | 1.875 | 3.65  | 6312C3    | 6212C3        |
| 404T               | 2.76  | 0.750 | 0.750 | 5.65   | 2.450      | 3.0              | 19.41 | 14.76 | 1.81  | 7.25             | 2.875 | 7.16  | 6317      | 6313          |
| 405T               | 2.76  | 0.750 | 0.750 | 5.65   | 2.450      | 3.0              | 19.41 | 14.76 | 1.81  | 7.25             | 2.875 | 7.16  | 6317      | 6313          |
| 405TS              | 2.76  | 0.500 | 0.500 | 2.78   | 1.845      | 3.0              | 19.41 | 14.76 | 1.81  | 4.25             | 2.125 | 3.98  | 6313C3    | 6313C3        |
| 444T               | 3.55  | 0.875 | 0.875 | 6.89   | 2.880      | 3.0              | 23.05 | 16.95 | 2.60  | 8.50             | 3.375 | 8.00  | 6318      | 6316          |
| 444TS              | 3.55  | 0.625 | 0.625 | 3.03   | 2.021      | 3.0              | 23.05 | 16.95 | 2.60  | 4.75             | 2.375 | 4.50  | 6314C3    | 6314C3        |
| 445T               | 3.55  | 0.875 | 0.875 | 6.89   | 2.880      | 3.0              | 23.05 | 16.95 | 2.60  | 8.50             | 3.375 | 8.00  | 6318      | 6316          |
| 445TS              | 3.55  | 0.625 | 0.625 | 3.03   | 2.021      | 3.0              | 23.05 | 16.95 | 2.60  | 4.75             | 2.375 | 4.50  | 6314C3    | 6316C3        |
| 447T               | 4.35  | 0.875 | 0.875 | 6.89   | 2.880      | 3.0              | 24.00 | 17.90 | 2.40  | 8.50             | 3.375 | 8.00  | 6320      | 6316          |
| 447TS              | 4.35  | 0.625 | 0.625 | 3.03   | 2.021      | 3.0              | 24.00 | 17.90 | 2.40  | 4.75             | 2.375 | 4.50  | 6314C3    | 6314C3        |
| 449T               | 4.35  | 0.875 | 0.875 | 6.89   | 2.880      | 3.0              | 24.00 | 17.90 | 2.40  | 8.50             | 3.375 | 8.00  | 6320      | 6316          |
| 449TS              | 4.35  | 0.625 | 0.625 | 3.03   | 2.021      | 3.0              | 24.00 | 17.90 | 2.40  | 4.75             | 2.375 | 4.50  | 6314C3    | 6314C3        |
| **449T             | 2.80  | 0.875 | 0.875 | 6.89   | 2.880      | 3.0              | 25.15 | 19.05 | 1.24  | 8.50             | 3.375 | 8.00  | 6320      | 6316          |
| **449TS            | 2.80  | 0.625 | 0.625 | 3.03   | 2.021      | 3.0              | 25.15 | 19.05 | 1.24  | 4.75             | 2.375 | 4.50  | 6314C3    | 6314C3        |
| 5009A              | 10.70 | 0.625 | 0.625 | 4.01   | 2.275      | 4.0              | 24.30 | 20.00 | 22.70 | 5.75             | 2.625 | 5.50  | 6314C3    | 6314C3        |
| 5011A              | 10.70 | 0.625 | 0.625 | 4.01   | 2.275      | 4.0              | 24.30 | 20.00 | 22.70 | 5.75             | 2.625 | 5.50  | 6314C3    | 6314C3        |
| 5810A              | 11.05 | 0.625 | 0.625 | 4.01   | 2.275      | 4.0              | 25.95 | 21.65 | 27.25 | 5.75             | 2.625 | 5.50  | 6314C3    | 6314C3        |
| 5007C <sup>s</sup> | 10.70 | 1.000 | 1.000 | 10.00  | 3.309      | 4.0              | 24.30 | 20.00 | 22.70 | 11.62            | 3.875 | 11.12 | NU324C3   | 6320          |
| 5007C <sup>s</sup> | 10.70 | 1.000 | 1.000 | 10.00  | 3.309      | 4.0              | 24.30 | 20.00 | 22.70 | 11.62            | 3.875 | 11.12 | NU324C3   | 6320          |
| 5009C <sup>s</sup> | 10.70 | 1.000 | 1.000 | 10.00  | 3.309      | 4.0              | 24.30 | 20.00 | 22.70 | 11.62            | 3.875 | 11.12 | NU324C3   | 6320          |
| 5009C <sup>s</sup> | 10.70 | 1.000 | 1.000 | 10.00  | 3.309      | 4.0              | 24.30 | 20.00 | 22.70 | 11.62            | 3.875 | 11.12 | NU324C3   | 6320          |
| 5011B <sup>s</sup> | 10.70 | 1.000 | 1.000 | 10.00  | 3.309      | 4.0              | 24.30 | 20.00 | 22.70 | 11.62            | 3.875 | 11.21 | NU324C3   | 6320          |
| 5011B <sup>s</sup> | 10.70 | 1.000 | 1.000 | 10.00  | 3.309      | 4.0              | 24.30 | 20.00 | 22.70 | 11.62            | 3.875 | 11.21 | NU324C3   | 6320          |
| 5808B <sup>s</sup> | 11.05 | 1.250 | 1.250 | 10.00  | 4.169      | (2) 3.0          | 25.95 | 21.65 | 27.25 | 11.88            | 4.875 | 11.38 | NU326C3   | 6322          |
| 5808B <sup>s</sup> | 11.05 | 1.250 | 1.250 | 10.00  | 3.309      | (2) 3.0          | 25.95 | 21.65 | 27.25 | 11.88            | 4.875 | 11.38 | NU326C3   | 6322          |
| 5808B <sup>s</sup> | 11.05 | 1.250 | 1.250 | 10.00  | 3.309      | (2) 3.0          | 25.95 | 21.65 | 27.25 | 11.88            | 4.875 | 11.38 | NU326C3   | 6322          |
| 5810B <sup>s</sup> | 11.05 | 1.250 | 1.250 | 10.00  | 3.309      | (2) 3.0          | 25.95 | 21.65 | 27.25 | 11.88            | 4.875 | 11.38 | NU326C3   | 6322          |
| 5810B <sup>s</sup> | 11.05 | 1.250 | 1.250 | 10.00  | 3.309      | (2) 3.0          | 25.95 | 21.65 | 27.25 | 11.88            | 4.875 | 11.38 | NU326C3   | 6322          |
| 5810B <sup>s</sup> | 11.05 | 1.250 | 1.250 | 10.00  | 3.309      | (2) 3.0          | 25.95 | 21.65 | 27.25 | 11.88            | 4.875 | 11.38 | NU326C3   | 6322          |
| 6808B <sup>s</sup> | 10.85 | 1.250 | 1.250 | 10.00  | 4.169      | (2) 3.0          | 27.15 | 22.85 | 31.90 | 11.88            | 4.875 | 11.38 | NU326C3   | 6322          |
| 6808B <sup>s</sup> | 10.85 | 1.250 | 1.250 | 10.00  | 4.169      | (2) 3.0          | 27.15 | 22.85 | 31.90 | 11.88            | 4.875 | 11.38 | NU326C3   | 6322          |

- Note:
1. Dimension D tolerance: +0.000 inch - 0.03 inch (143T-365T); +0.000 inch - 0.06 (404T-449T).
  2. Dimension U tolerance: +0.000 inch - 0.0005 inch (143T-215T); +0.000 inch - 0.001 (254T-449T).
  3. Dimension R tolerance: +0.000 inch - 0.015 inch.
  4. Bearing with mark \* : Grease pre-packed shielded rolling bearings.
  5. \*\*Overall Dimensions are larger than standard T-Frames.
  6. Superscript number after frame size indicates number of poles.
  7. (2) Indicates 2 conduit opening per terminal box.