

DATE
MAY 15, 2004
CATALOG NO.
X1002

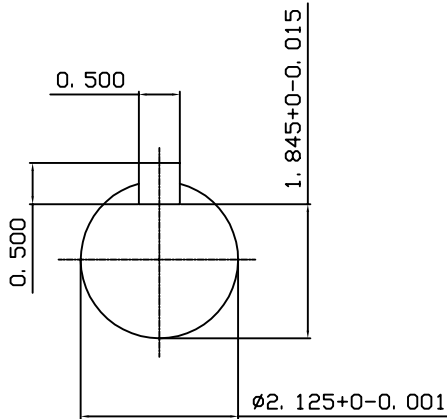
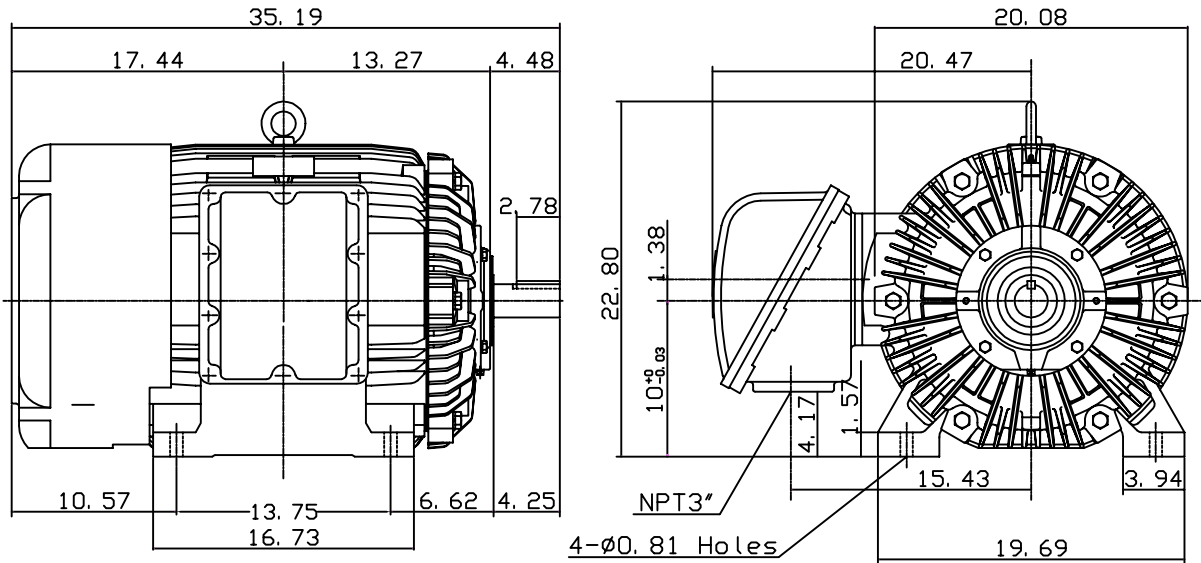
OUTLINE DIMENSIONS
3-PHASE INDUCTION MOTOR

MOTOR TYPE:
AEHHXU
FRAME NO. 405TS

Pole	HP	KW	Hz	VOLT	RPM
2	100	75	60	230/460	3600

Ins	Rating	Dimension in	Approx Weight	Bearings
F	CONT.	inches	1349 lbs.	DE: 6313C3 NDE: 6313C3

Totally Enclosed Fan-Cooled Type, Squirrel-cage Rotor.



Note:

- EXPLOSION-PROOF:
Class I GROUP D AND
CLASS II GROUP E,F,G.

WC0293-1

DWN.	G. L. GUD	06-19-00
CHKD.	C. H. KAD	06-22-00
APPD.	Y. B. HUANG	06-22-00

TEC Westinghouse

DWG NO.
31049M634140