

DATE  
APRIL 30, 2004  
CATALOG NO.  
X0024

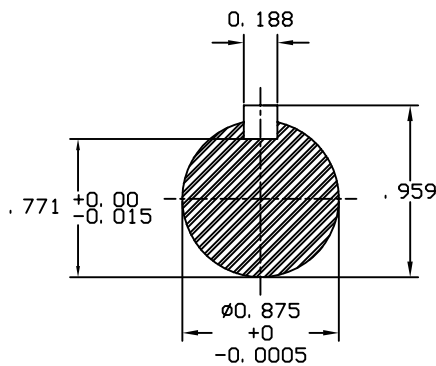
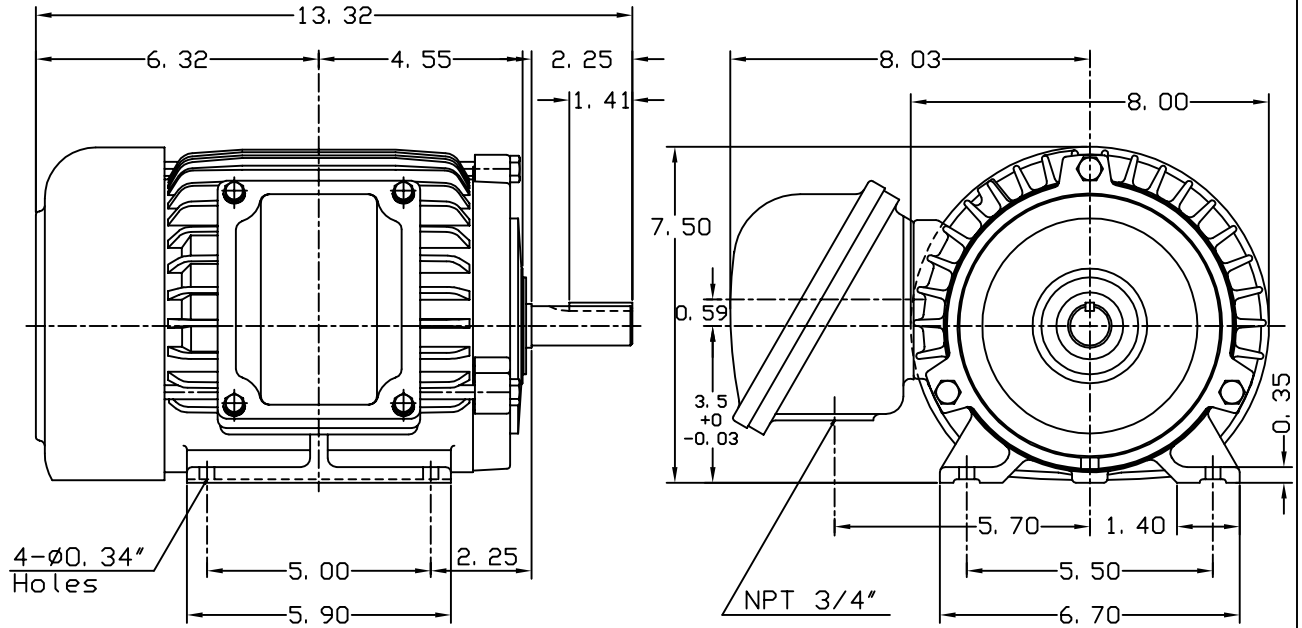
OUTLINE DIMENSIONS  
3-PHASE INDUCTION MOTOR

MOTOR TYPE:  
AEHHXU  
FRAME NO. 145T

Pole	HP	KW	Hz	VOLT	RPM
4	2	1.5	60	230/460	1800

Ins	Rating	Dimension in	Approx Weight	Bearings
F	CONT.	inches	70 lbs.	DE: 6205ZZ NDE: 6205ZZ

Totally Enclosed Fan-Cooled Type, Squirrel-Cage Rotor.



NOTE:  
1. EXPLOSION PROOF:  
CLASS I GROUP D AND  
CLASS II GROUP E, F, G.

??WC0293-1

DWN.	J. H. LIANG	06-29-00
CHKD.	C. S. LD	07-06-00
APPD.	Y. B. HUANG	07-06-00

TECO Westinghouse

DWG NO.  
31049H819013