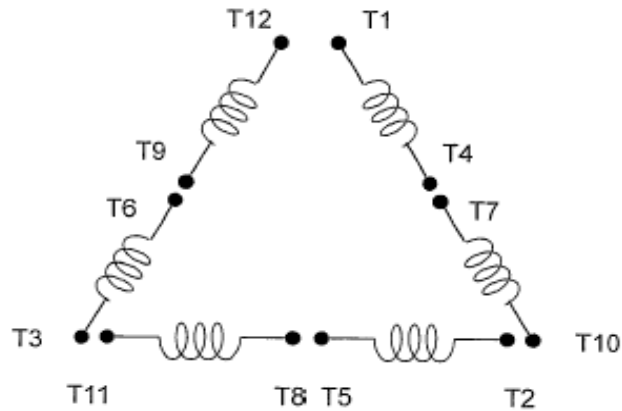


DATE:  
July 26, 2005

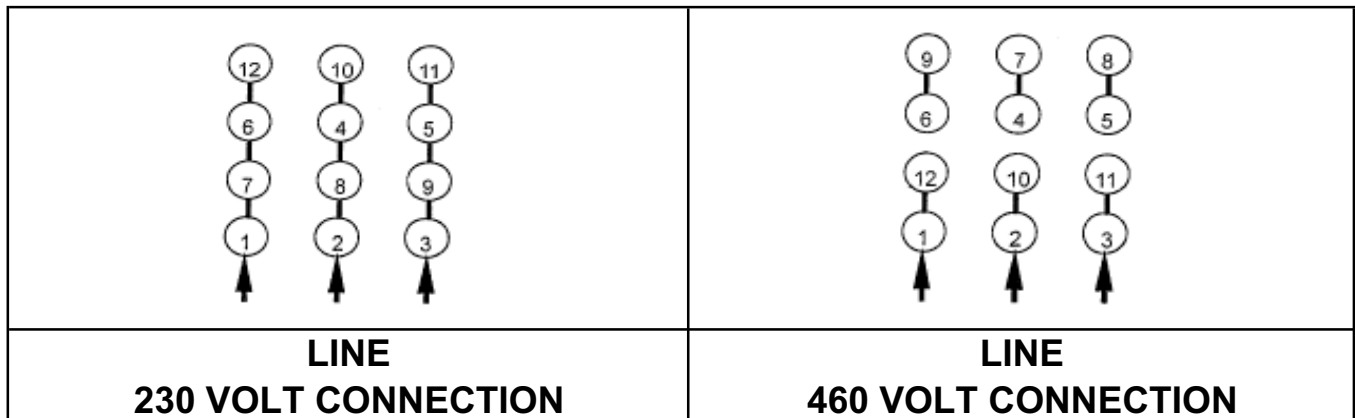
# CONNECTION DIAGRAM

CATALOG NO.:  
X0402

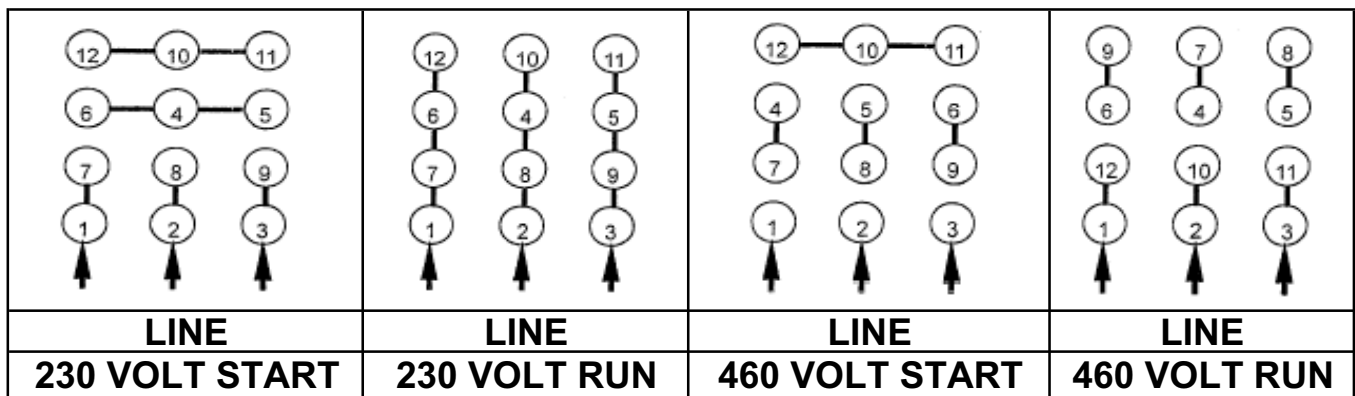


**SCHEMATIC - Δ / Y CONNECTION**

## ACROSS THE LINE CONNECTION



## WYE START-DELTA RUN CONNECTION



DWG NO.  
**DAC-1565-4**