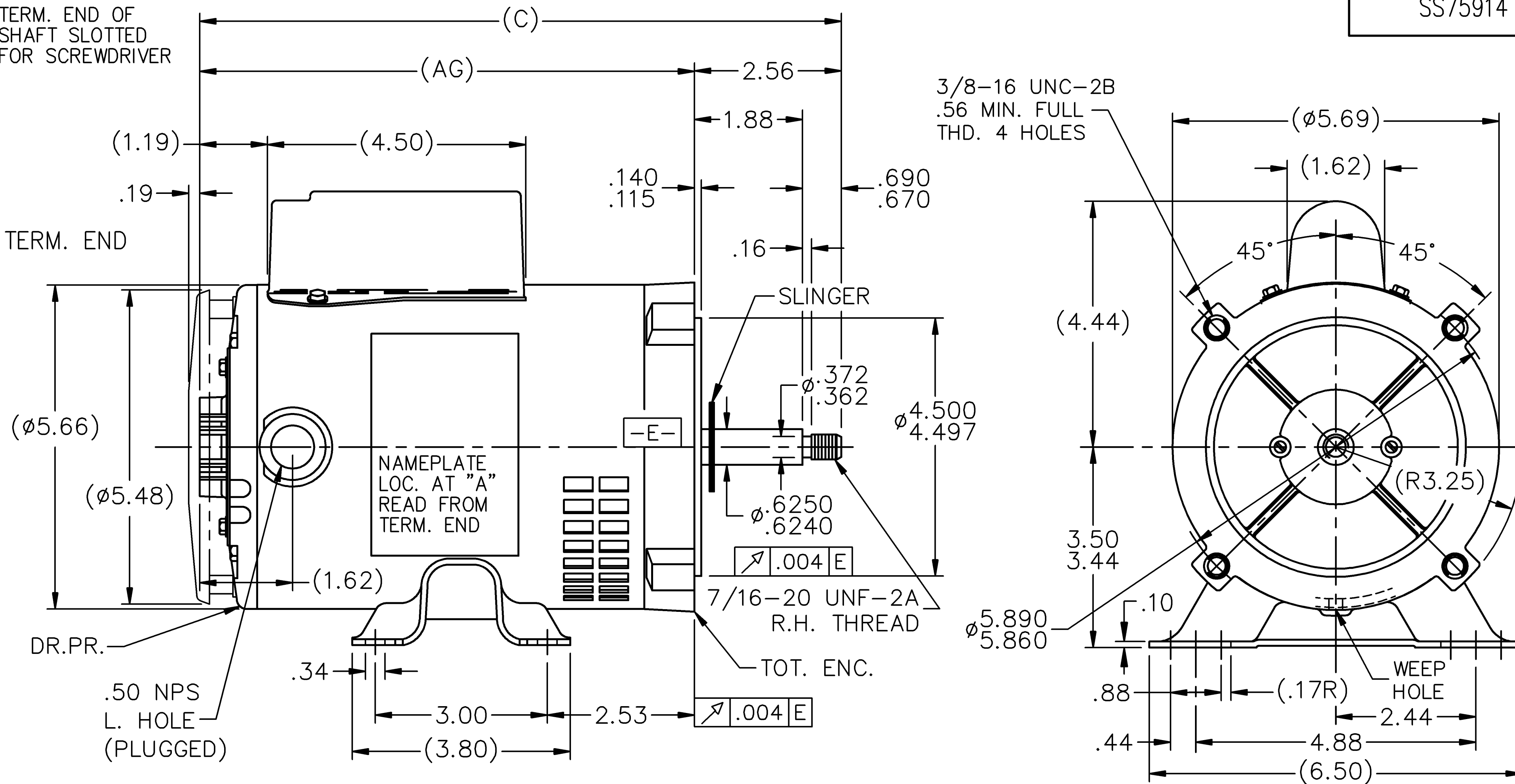


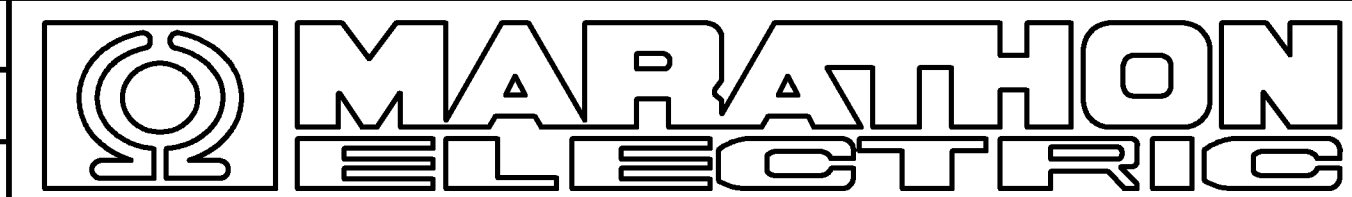
TERM. END OF
SHAFT SLOTTED
FOR SCREWDRIVER

TERM. END



DASH	C	AG	DASH	C	AG
625	10.69	8.12	700	11.44	8.88
650	10.94	8.38	725	11.69	9.12
675	11.19	8.62	750	11.94	9.38

NO.	REVISION	BY & DATE	CHK	TOLERANCES UNLESS SPECIFIED	
				DEC.	INCHES
4	REDRAWN IN AUTOCAD	TAT 07-13-2004	ML	.X	±.1
3	ADDED NEW FRONT BRACKET	CN 20124 RJM 04-04-1995		.XX	±.03
2	PHANTOM DRIPCOVER - ADDED SLINGER	CN 16315 KL 09-28-1993		.XXX	±.005
1	NEW DRAWING	4041651 DD 07-02-1993		.XXXX	±.0005
				ANG	±7'30"



DRAWN DD 06-30-1993
CHK MOL 07-01-1993
APPD MB 07-01-1993
SCALE 3=8
REF
FMF
PREV