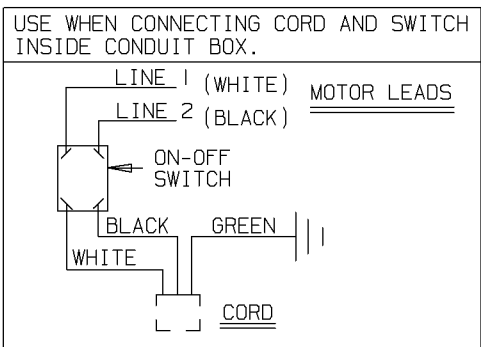
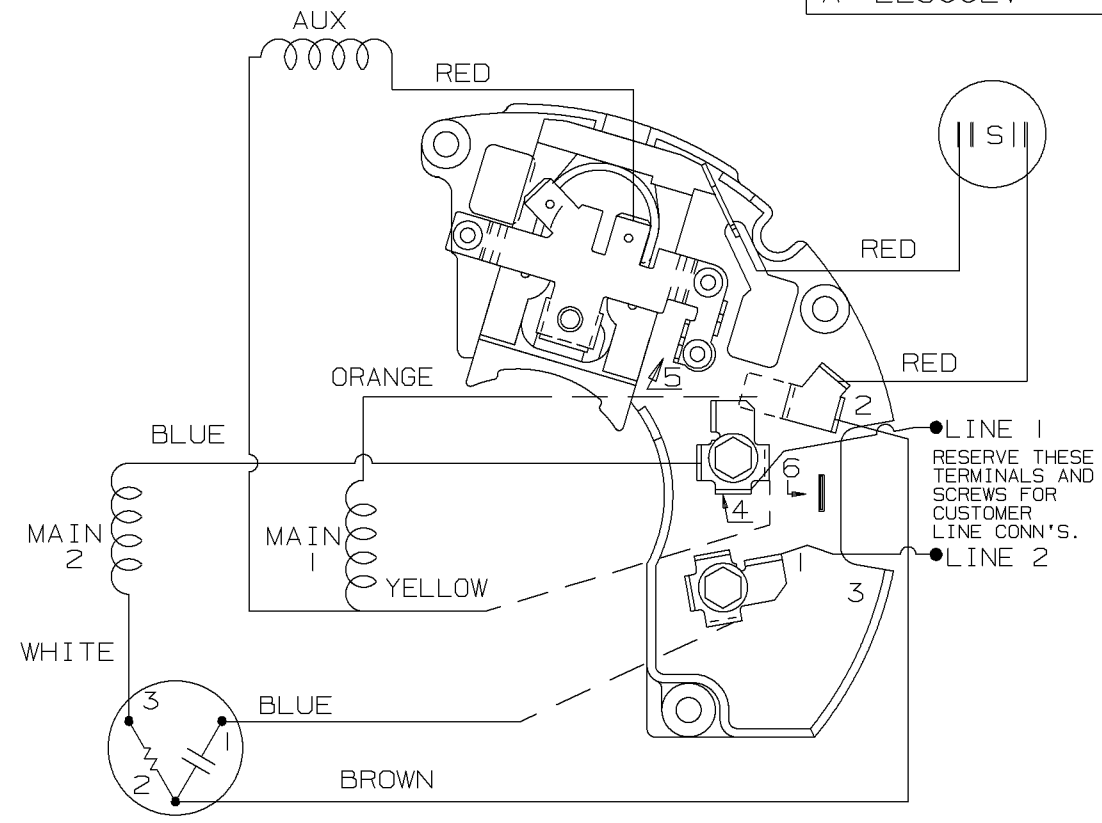
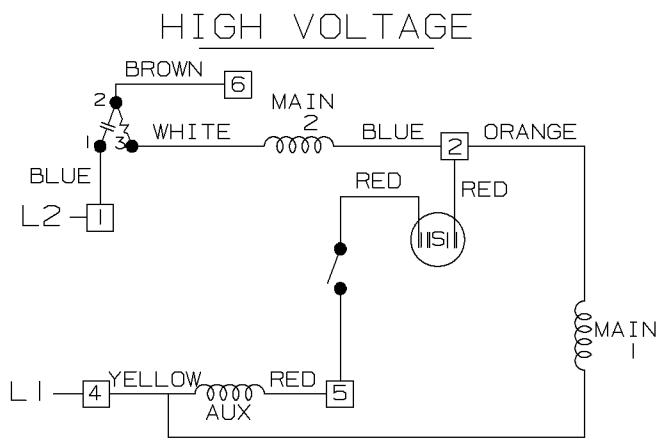


DUAL VOLTAGE
CAP. START NOT REVERSIBLE
WITH OVERLOAD PROTECTION.



VIEWING TERM END

LOW VOLTAGE CW ROTATION SHOWN.
FOR HIGH VOLTAGE
CONNECT BROWN TERM 2 TO TERM 6.
CONNECT BLUE TERM 4 TO TERM 2.

DASH LINES INDICATE LEADS CONNECTED TO MOTOR SIDE OF SWITCH.

3	01-28-1991	REVISED LINE 2 LOCATION	RM	✓ MAX. SURFACE ROUGHNESS UNLESS NOTED OTHERWISE	UNLESS OTHERWISE SPECIFIED DIMENSIONS ARE IN INCHES TOL. ON XX± XXX±.005 XXXX±.0005 ANGLES±
2	01-04-1991	ADDED CORD - SWITCH CONNECTION	SMC	MATL SPEC	DRAWN BY SMC 12-11-1990
1	11-2-1990	NEW DRAWING	SMC	FINISH	CHKD BY ML 12-11-1990
REV	DATE	CHANGE	NAME	PART NAME CONNECTION DIAGRAM 48 FR. DUAL VOLTAGE NOT REVERSIBLE	APPD BY GK 12-11-1990 DRWG NO A - EE9002V