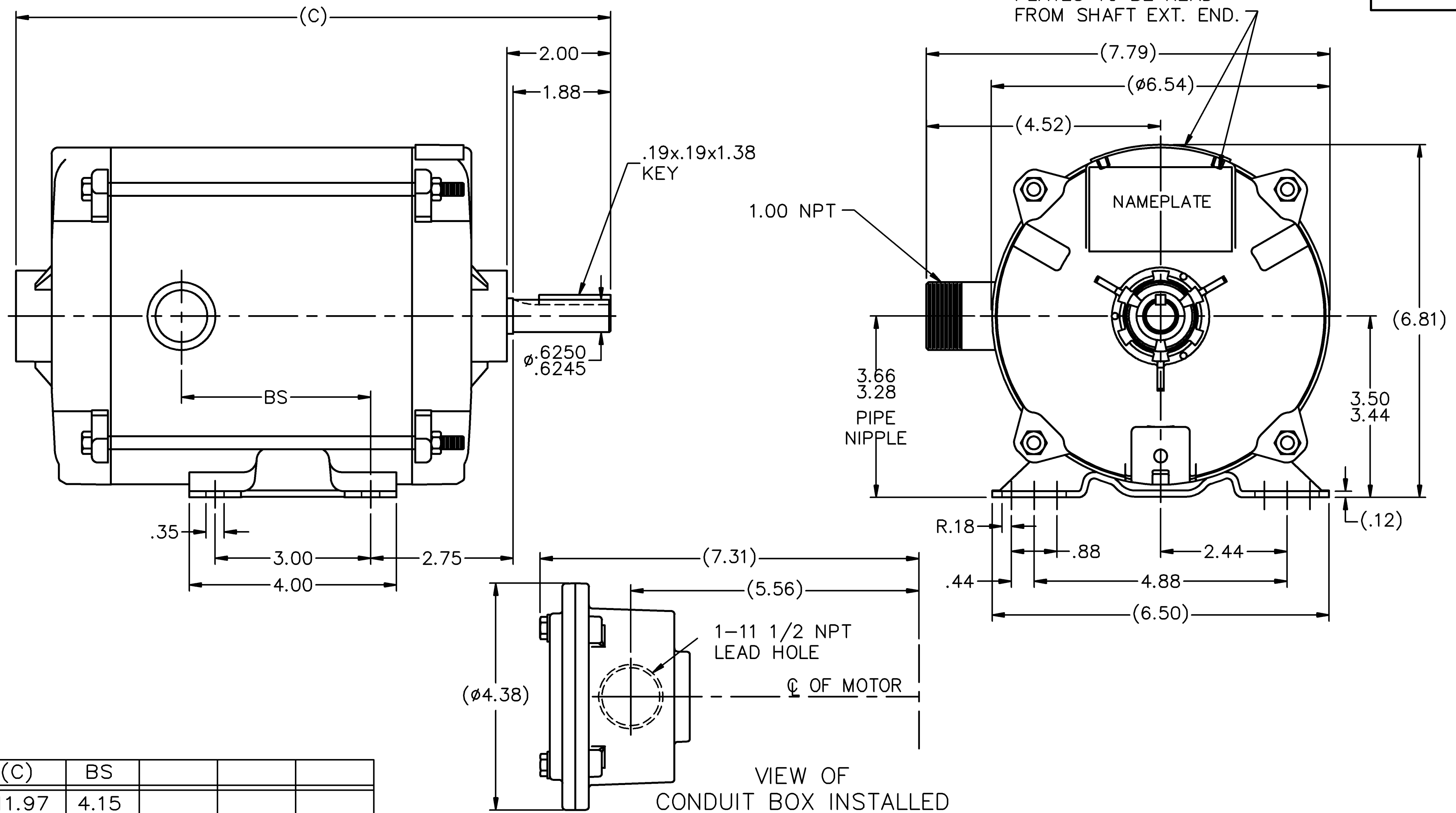


PLATES TO BE READ FROM SHAFT EXT. END.



DASH	(C)	BS			
631	11.97	4.15			
681	12.47	4.65			
731	12.97	5.15			
781	13.47	5.65			
831	13.97	6.15			
881	14.47	6.65			
931	14.97	7.15			
981	15.47	7.65			

		TOLERANCES UNLESS SPECIFIED		MARATHON ELECTRIC		DRAWN MH 12-10-1996	
		DEC.	INCHES			CHK	ML 01-13-1997
		.X	±.1			APPD	GK 01-13-1997
3	REDRAWN IN AUTOCAD	TAT	06-28-2004	ML	.XX	±.03	TITLE OUTLINE
2	ADDED CONDUIT BOX VIEW	CN	26686	MRB	03-22-1999	.XXX	±.005
1	NEW DRAWING	CN	23099	MH	01-13-1997	.XXXX	±.0005
NO.	REVISION	BY & DATE		CHK	ANG	±7'30"	MATL.
THIS DRAWING IN DESIGN AND DETAIL IS OUR PROPERTY AND MUST NOT BE USED EXCEPT IN CONNECTION WITH OUR WORK ALL RIGHTS OF DESIGN AND INVENTION ARE RESERVED THIS IS AN ELECTRONICALLY GENERATED DOCUMENT - DO NOT SCALE THIS PRINT				RFP			CAD FILE 104196
				DIST	WP		
						SIZE	DRAWING NO. PAGE OF REV.
						B	104196 3