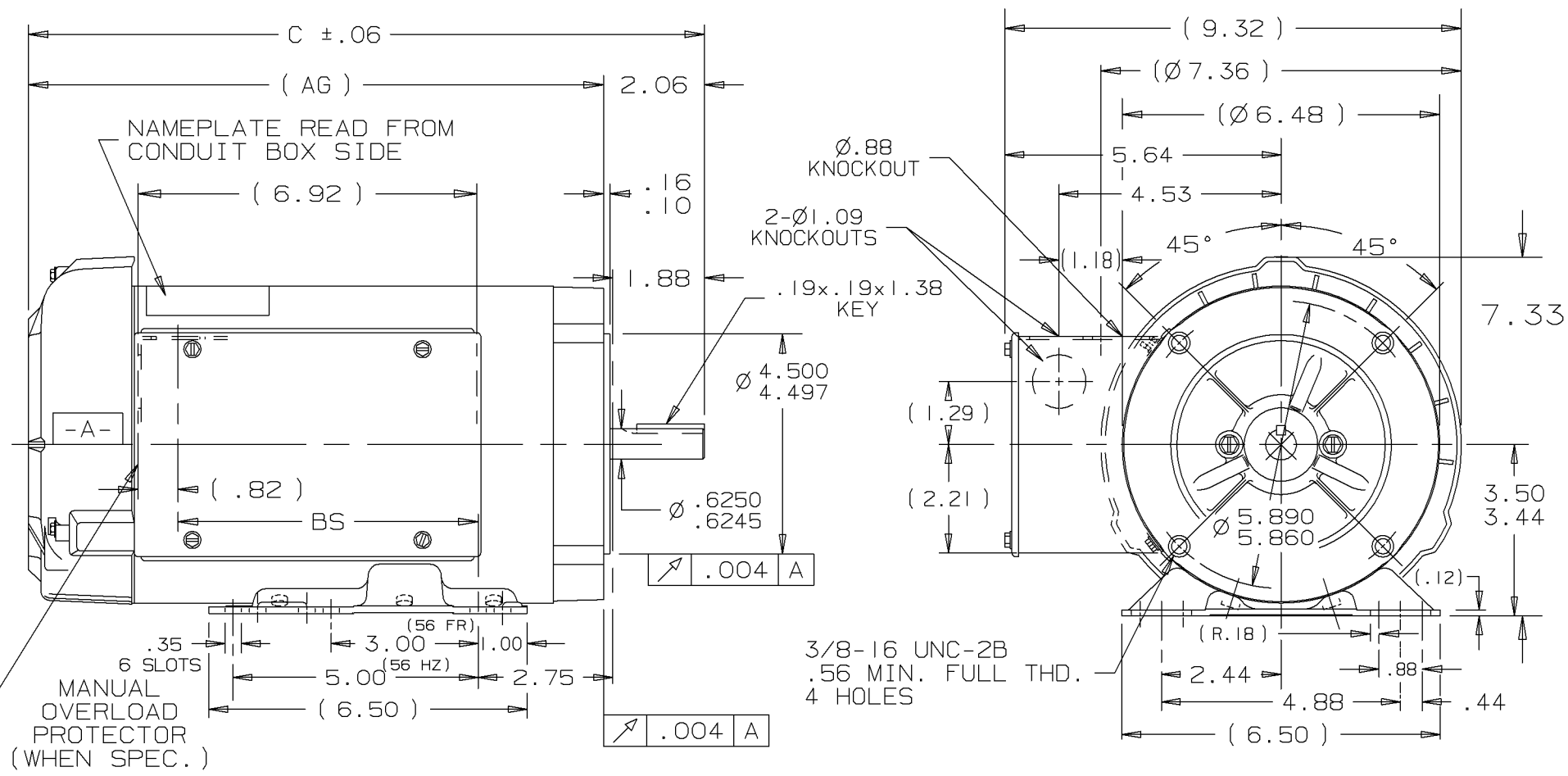


TERM. END



DASH	FR.	C	AG	BS
806	56.80	13.31	11.25	5.63
856	"-75	13.81	11.75	6.13
906	"-80	14.31	12.25	6.63
956	"-85	14.81	12.75	7.13

NOTES:
1. BASE IS REMOVEABLE

		✓ MAX. SURFACE ROUGHNESS UNLESS NOTED OTHERWISE		UNLESS OTHERWISE SPECIFIED DIMENSIONS ARE IN INCHES TOL. ON XX± .03 XXX± .005 XXXX± .0005 ANGLES± 7'30"			
		MATL SPEC		DRAWN BY BLR 05-27-97		CHKD BY ML 06-03-97	
		FINISH		APPD BY GK 06-03-97		MARATHON ELECTRIC WAUSAU, WISCONSIN 54401	
3 06-03-97		REDRAWN ON CAD		BLR		PART NAME OUTLINE	
REV DATE		CHANGE		NAME		DRWG NO A-100144	
SHOP BOOK		PURCHASED		DISTRIBUTION - WA - LB - WP - LM - YK		CADD FILE NO. 100144	