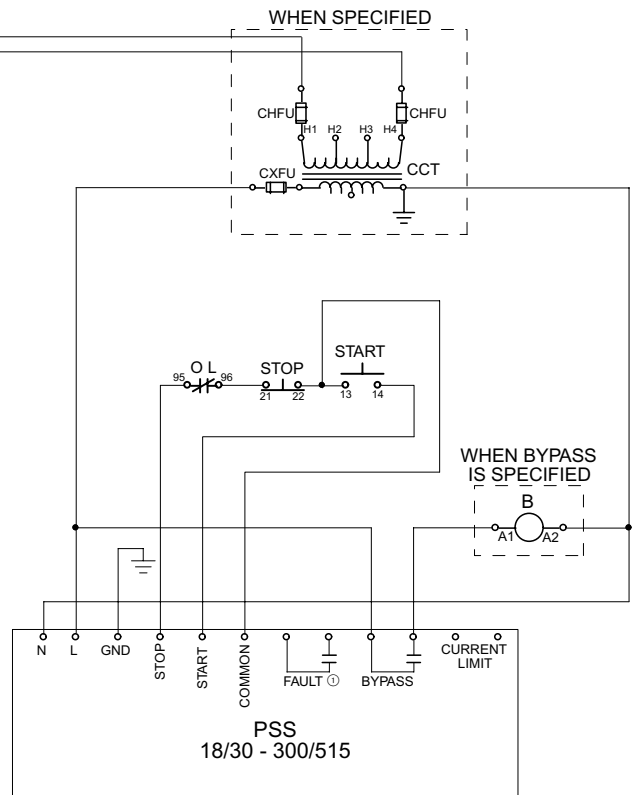
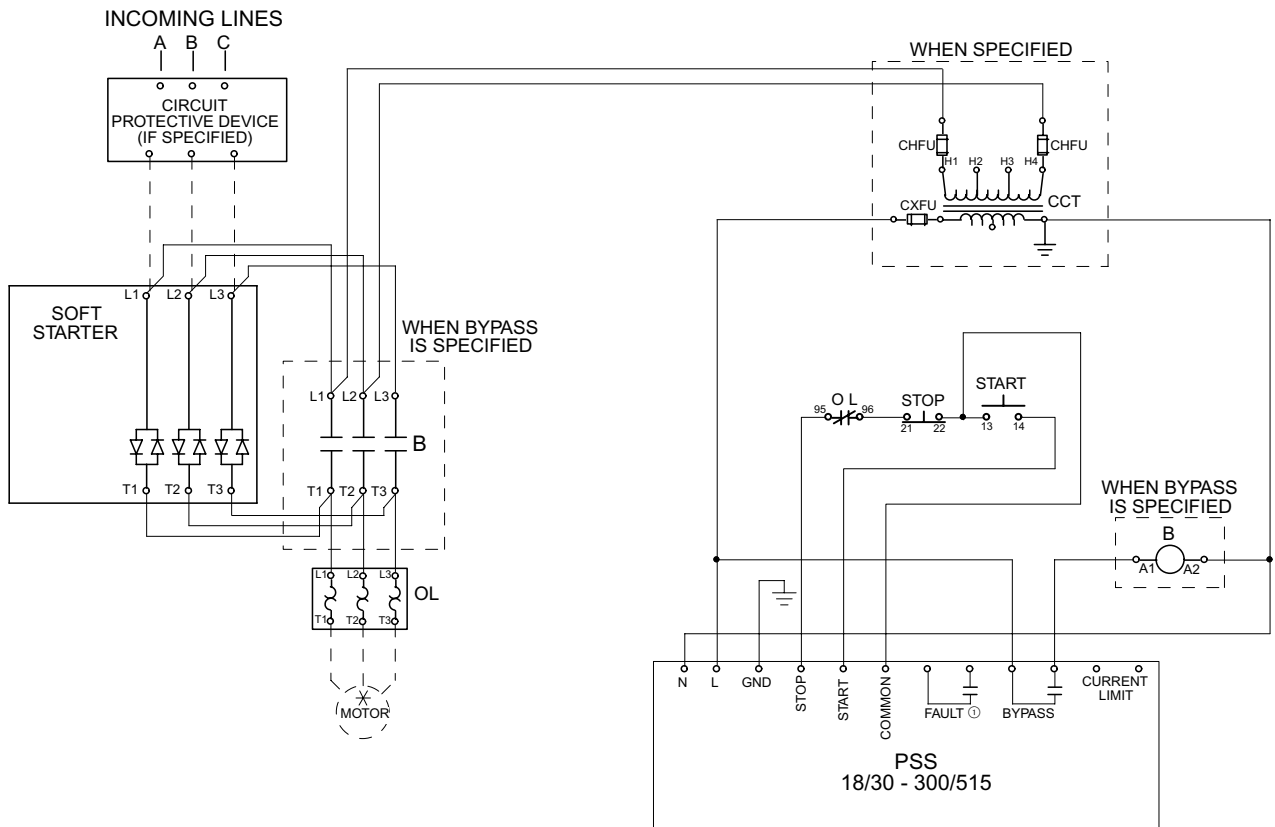


Circuit diagrams

PSS18/30 – PSS300/515, In-line motor configuration

Softstarters
Type PSS

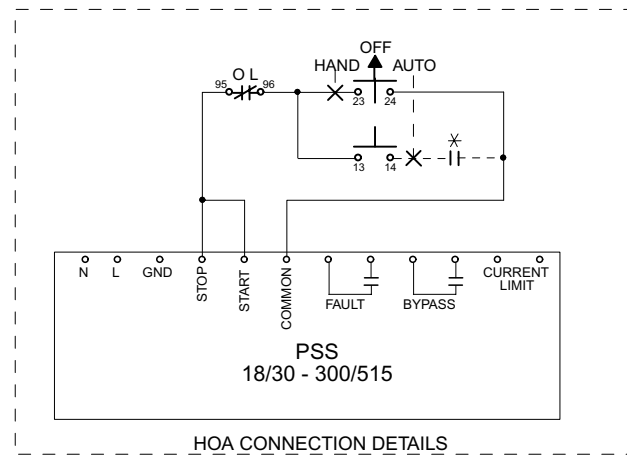
6



NOTES

- ALL CONTROL WIRING TO BE 18GA. COLOR OF CONTROL WIRE SHALL BE PER VOLTAGE OF CONTACTOR COILS:
RED - ALL AC VOLTAGES
WHITE MAY BE USED ON THE GROUNDED SIDE OF THE AC CIRCUIT IF SPECIFIED.
BLUE - ALL DC VOLTAGES
- ALL DEVICES ARE SHOWN DE-ENERGIZED.
- DO NOT USE SELECTOR SWITCHES WITH AUTO-RESET OVERLOAD RELAYS.

LEGEND	
CCT	CONTROL CIRCUIT TRANSFORMER
CHFV	CCT PRIMARY FUSE
CXFU	CCT SECONDARY FUSE
B	BYPASS CONTACTOR
OL	OVERLOAD RELAY
o ₁₃	CONN POINT ON DEVICE WITH NUMBER
⊗	REMOTE DEVICE
∅	CONN POINT AT TERMINAL BLOCK



SET DIP SWITCH S1 AS SHOWN

