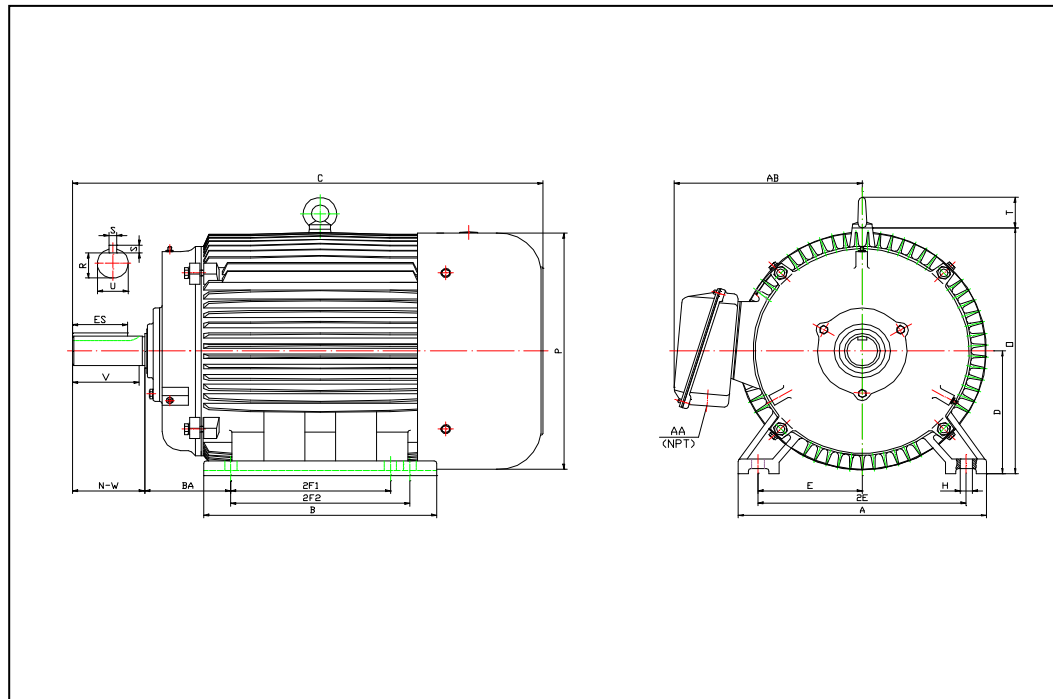


## Torque Master Cast Iron T-Frame Motor Dimensions



HP	RPM	Frame	MOTOR DIMENSIONS													SHAFT EXTENSION, KEY SEAT					CONDUIT BOX		BEARINGS		
			A	B	C	D	H	E	2E	2F1	2F2	O	P	T	BA	U	V	R	S	ES	N-W	AA	AB	DE	ODE
1	3600	143T	7	5.2	12.6	3.5	0.34	2.75	5.5	4	0	7.1	6.95	0	2.25	0.875	2	0.771	0.188	1.41	2.25	3/4	6.1	6205	6205
	1800	143T	7	5.2	12.6	3.5	0.34	2.75	5.5	4	0	7.1	6.95	0	2.25	0.875	2	0.771	0.188	1.41	2.25	3/4	6.1	6205	6205
	1200	145T	7	6.2	13.6	3.5	0.34	2.75	5.5	4	5	7.1	6.95	0	2.25	0.875	2	0.771	0.188	1.41	2.25	3/4	6.1	6205	6205
1.5	3600	143T	7	5.2	12.6	3.5	0.34	2.75	5.5	4	0	7.1	6.95	0	2.25	0.875	2	0.771	0.188	1.41	2.25	3/4	6.1	6205	6205
	1800	145T	7	6.2	13.6	3.5	0.34	2.75	5.5	4	5	7.1	6.95	0	2.25	0.875	2	0.771	0.188	1.41	2.25	3/4	6.1	6205	6205
	1200	182T	9.5	7.3	16.1	4.5	0.41	3.75	7.5	4.5	5.5	9.1	8.7	1.6	2.75	1.125	2.5	0.986	0.25	1.78	2.75	3/4	7.5	6306	6306
2	3600	145T	7	6.2	13.6	3.5	0.34	2.75	5.5	4	5	7.1	6.95	0	2.25	0.875	2	0.771	0.188	1.41	2.25	3/4	6.1	6205	6205
	1800	145T	7	6.2	13.6	3.5	0.34	2.75	5.5	4	5	7.1	6.95	0	2.25	0.875	2	0.771	0.188	1.41	2.25	3/4	6.1	6205	6205
	1200	184T	9.5	8.3	17.1	4.5	0.41	3.75	7.5	4.5	5.5	9.1	8.7	1.6	2.75	1.125	2.5	0.986	0.25	1.78	2.75	3/4	7.5	6306	6306
3	3600	182T	9.5	7.3	16.1	4.5	0.41	3.75	7.5	4.5	5.5	9.1	8.7	1.6	2.75	1.125	2.5	0.986	0.25	1.78	2.75	3/4	7.5	6306	6306
	1800	182T	9.5	7.3	16.1	4.5	0.41	3.75	7.5	4.5	5.5	9.1	8.7	1.6	2.75	1.125	2.5	0.986	0.25	1.78	2.75	3/4	7.5	6306	6306
	1200	213T	11	7.87	18.9	5.25	0.41	4.25	8.5	5.5	0	10.5	10.2	1.9	3.5	1.375	3.12	1.201	0.312	2.41	3.38	1	8.3	6308	6308
5	3600	184T	9.5	8.3	17.1	4.5	0.41	3.75	7.5	4.5	5.5	9.1	8.7	1.6	2.75	1.125	2.5	0.986	0.25	1.78	2.75	3/4	7.5	6306	6306
	1800	184T	9.5	8.3	17.1	4.5	0.41	3.75	7.5	4.5	5.5	9.1	8.7	1.6	2.75	1.125	2.5	0.986	0.25	1.78	2.75	3/4	7.5	6306	6306
	1200	215T	11	9.37	20.4	5.25	0.41	4.25	8.5	5.5	7	10.5	10.2	1.9	3.5	1.375	3.12	1.201	0.312	2.41	3.38	1	8.3	6308	6308
7.5	3600	213T	11	7.87	18.9	5.25	0.41	4.25	8.5	5.5	0	10.5	10.2	1.9	3.5	1.375	3.12	1.201	0.312	2.41	3.38	1	8.3	6308	6308
	1800	213T	11	7.87	18.9	5.25	0.41	4.25	8.5	5.5	0	10.5	10.2	1.9	3.5	1.375	3.12	1.201	0.312	2.41	3.38	1	8.3	6308	6308
	1200	254T	13	12.2	25	6.25	0.53	5	10	8.25	10	13	12.4	2.2	4.25	1.625	3.75	1.416	0.375	2.91	4	1 1/4	10.1	6309	6309
10	3600	215T	11	9.37	20.4	5.25	0.41	4.25	8.5	5.5	7	10.5	10.2	1.9	3.5	1.375	3.12	1.201	0.312	2.41	3.38	1	8.3	6308	6308
	1800	215T	11	9.37	20.4	5.25	0.41	4.25	8.5	5.5	7	10.5	10.2	1.9	3.5	1.375	3.12	1.201	0.312	2.41	3.38	1	8.3	6308	6308
	1200	256T	13	12.2	25	6.25	0.53	5	10	8.25	10	13	12.4	2.2	4.25	1.625	3.75	1.416	0.375	2.91	4	1 1/4	10.1	6309	6309
15	3600	254T	13	12.2	25	6.25	0.53	5	10	8.25	10	13	12.4	2.2	4.25	1.625	3.75	1.416	0.375	2.91	4	1 1/4	10.1	6309	6309
	1800	254T	13	12.2	25	6.25	0.53	5	10	8.25	10	13	12.4	2.2	4.25	1.625	3.75	1.416	0.375	2.91	4	1 1/4	10.1	6309	6309
	1200	284T	14	13.2	28.1	7	0.53	5.5	11	9.5	11	14.5	14	2.2	4.75	1.875	4.38	1.591	0.5	3.28	4.62	1 1/2	11.3	6311	6311
20	3600	256T	13	12.2	25	6.25	0.53	5	10	8.25	10	13	12.4	2.2	4.25	1.625	3.75	1.416	0.375	2.91	4	1 1/4	10.1	6309	6309
	1800	256T	13	12.2	25	6.25	0.53	5	10	8.25	10	13	12.4	2.2	4.25	1.625	3.75	1.416	0.375	2.91	4	1 1/4	10.1	6309	6309
	1200	286T	14	13.2	28.1	7	0.53	5.5	11	9.5	11	14.5	14	2.2	4.75	1.875	4.38	1.591	0.5	3.28	4.62	1 1/2	11.3	6311	6311
25	3600	284TS	14	13.2	26.7	7	0.53	5.5	11	9.5	11	14.5	14	2.2	4.75	1.625	3	1.416	0.375	1.91	3.25	1 1/2	11.3	6311	6311
	1800	284T	14	13.2	28.1	7	0.53	5.5	11	9.5	11	14.5	14	2.2	4.75	1.875	4.38	1.591	0.5	3.28	4.62	1 1/2	11.3	6311	6311
	1200	324T	15.5	14.7	31.3	8	0.66	6.25	12.5	10.5	12	15.9	15.7	2.6	5.25	2.125	5	1.845	0.5	3.91	5.25	2	12.3	6312	6312
30	3600	286TS	14	13.2	26.7	7	0.53	5.5	11	9.5	11	14.5	14	2.2	4.75	1.625	3	1.416	0.375	1.91	3.25	1 1/2	11.3	6311	6311
	1800	286T	14	13.2	28.1	7	0.53	5.5	11	9.5	11	14.5	14	2.2	4.75	1.875	4.38	1.591	0.5	3.28	4.62	1 1/2	11.3	6311	6311
	1200	326T	15.5	14.7	31.3	8	0.66	6.25	12.5	10.5	12	15.9	15.7	2.6	5.25	2.125	5	1.845	0.5	3.91	5.25	2	12.3	6312	6312
40	3600	324TS	15.5	14.7	29.8	8	0.66	6.25	12.5	10.5	12	15.9	15.7	2.6	5.25	1.875	3.5	1.591	0.5	2.03	3.75	2	12.3	6312	6312
	1800	324T	15.5	14.7	31.3	8	0.66	6.25	12.5	10.5	12	15.9	15.7	2.6	5.25	2.125	5	1.845	0.5	3.91	5.25	2	12.3	6312	6312
	1200	364T	17.1	15.4	33.5	9	0.66	7	14	11.25	12.25	18.1	17.6	2.6	5.88	2.375	5.62	2.021	0.625	4.28	5.88	3	14.6	6313	6313
50	3600	326TS	15.5	14.7	29.8	8	0.66	6.25	12.5	10.5	12	15.9	15.7	2.6	5.25	1.875	3.5	1.591	0.5	2.03	3.75	2	12.3	6312	6312
	1800	326T	15.5	14.7	31.3	8	0.66	6.25	12.5	10.5	12	15.9	15.7	2.6	5.25	2.125	5	1.845	0.5	3.91	5.25	2	12.3	6312	6312
	1200	365T	17.1	15.4	33.5	9	0.66	7	14	11.25	12.25	18.1	17.6	2.6	5.88	2.375	5.62	2.021	0.625	4.28	5.88	3	14.6	6313	6313
60	3600	364TS	17.1	15.4	31.4	9	0.66	7	14	11.25	12.25	18.1	17.6	2.6	5.88	1.875	3.5	1.591	0.5	2.03	3.75	3	14.6	6313	6313
	1800	364T	17.1	15.4	33.5	9	0.66	7	14	11.25	12.25	18.1	17.6	2.6	5.88	2.375	5.62	2.021	0.625	4.28	5.88	3	14.6	6313	6313
	1200	404T	19.3	17.9	38.2	10	0.81	8	16	12.25	13.75	19.8	19.1	2.6	6.62	2.875	7	2.45	0.75	5.65	7.25	3	15.6	6315	6314
75	3600	365TS	17.1	15.4	31.4	9	0.66	7	14	11.25	12.25	18.1	17.6	2.6	5.88	1.875	3.5	1.591	0.5	2.03	3.75	3	14.6	6313	6313
	1800	365T	17.1	15.4	33.5	9	0.66	7	14	11.25	12.25	18.1	17.6	2.6	5.88	2.375	5.62	2.021	0.625	4.28	5.88	3	14.6	6313	6313
	1200	405T	19.3	17.9	38.2	10	0.81	8	16	12.25	13.75	19.8	19.1	2.6	6.62	2.875	7	2.45	0.75	5.65	7.25	3	15.6	6315	6314
100	3600	405TS	19.3	17.9	40.6	10	0.81	8	16	12.25	13.75	19.8	19.1	2.6	6.62	2.125	4	1.845	0.5	2.38	4.25	3	15.6	6315	6314
	1800	405T	19.3	17.9	38.2	10	0.81	8	16	12.25	13.75	19.8	19.1	2.6	6.62	2.875	7	2.45	0.75	5.65	7.25	3	15.6	6315	6314
	1200	444T	21.7	22.9	44.3	11	0.81	9	18	14.5	16.5	22.1	21.6	3	7.5	3.375	8.25	2.88	0.875	6.91	8.5	3	16.6	6318	6317
125	3600	444TS	21.7	22.9	40.6	11	0.81	9	18	14.5	16.5	22.1	21.6	3	7.5	2.375	4.5	2.021	0.625	3.03	4.75	3	16.6	6314	6314
	1800	444T	21.7	22.9	44.3	11	0.81	9	18	14.5	16.5	22.1	21.6	3	7.5	3.375	8.25	2.88	0.875	6.91	8.5	3	16.6	6318	6317
	1200	445T	21.7	22.9	44.3	11	0.81	9	18	14.5	16.5	22.1	21.6	3	7.5	3.375	8.25	2.88	0.875	6.91	8.5	3	16.6	6318	6317
150	3600	445TS	21.7	22.9	40.6	11	0.81	9	18	14.5	16.5	22.1	21.6	3	7.5	2.375	4.5	2.021	0.625	3.03	4.75	3	16.6	6314	6314
	1800	445T	21.7	22.9	44.3	11	0.81	9	18	14.5	16.5	22.1	21.6	3	7.5	3.375	8.25	2.88	0.875	6.91	8.5	3	16.6	6318	6317
	1200	447T	21.7	31.4	47.8	11	0.81	9	18	16.5	20	22.1	21.6	3	7.5	3.375	8.25	2.88	0.875	6.91	8.5	3</			