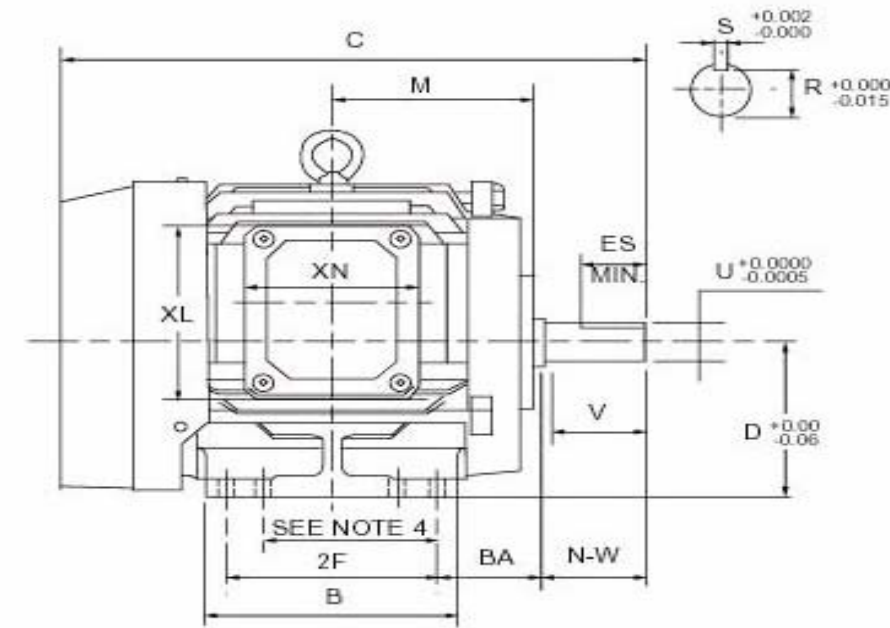
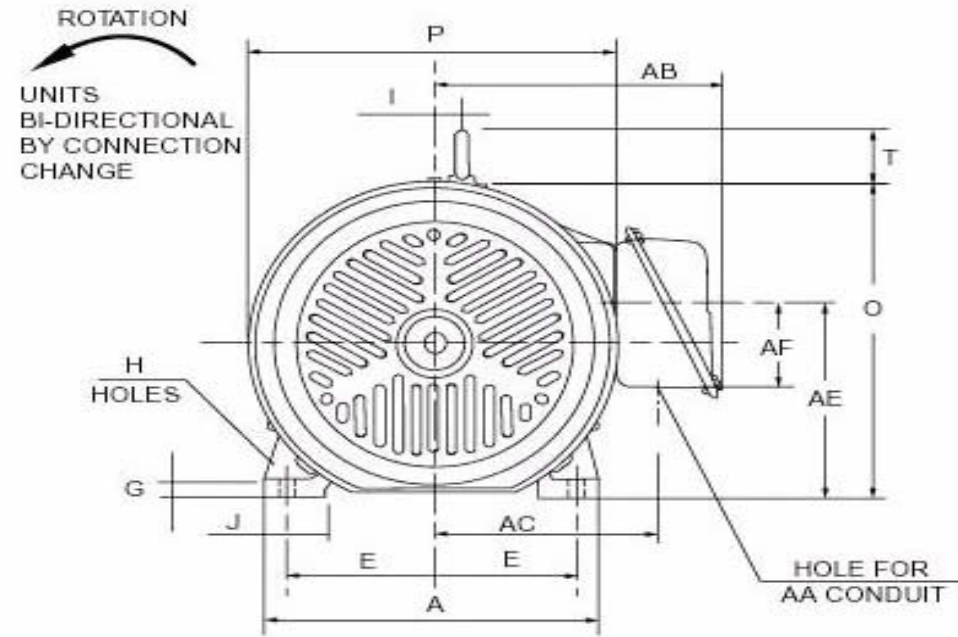


# Nema Cast Iron Three Phase Design D Motors



HP	RPM	FRAME	CONDUIT BOX									MOTOR DIMENSIONS					SHAFT EXTENSION					KEY SEAT			BEARINGS			
			E	2F	H	BA	AA	AB	AC	XL	XN	A	B	C	D	G	J	O	P	T	N-W	V	U	R	S	ES	LS	OS
1	1200			4																								6205
1	1200	182T	3.75	5	0.41	2.75	1.1	7.6	6.1	4.9	4.5	9.5	7.2	16.2	4.5	0.6	1.97	8.9	9.1	1.6	2.75	2.5	1.125	0.99	0.25	1.78	6306	6205
2	1200	184T	3.75	4.5	0.41	2.75	1.1	7.6	6.1	4.9	4.5	9.5	8.2	17.2	4.5	0.6	1.97	8.9	9.1	1.6	2.75	2.5	1.125	0.99	0.25	1.78	6306	6205
3	1200	213T	4.25	5.5	0.41	3.5	1.38	9	7	5.2	4.9	10.8	7.88	19	5.25	0.71	2.36	10.5	10.6	1.8	3.38	3.12	1.375	1.2	0.312	2.41	6308	6306
5	1200	215T	4.25	5.5	0.41	3.5	1.38	9	7	5.2	4.9	10.8	9.4	20.2	5.25	0.71	2.36	10.5	10.6	1.8	3.38	3.12	1.375	1.2	0.312	2.41	6308	6306
7.5	1200	254T	5	7	0.53	4.25	2.05	10.2	8	6.85	6.3	12.6	10.7	23	6.25	1.05	2.55	13.3	13.3	2.15	4	3.75	1.625	1.42	0.375	2.91	6309	6308
10	1200	256T	5	8.25	0.53	4.25	2.05	10.2	8	6.85	6.3	12.6	12.48	24.7	6.25	1.05	2.55	13.3	13.3	2.15	4	3.75	1.625	1.42	0.375	2.91	6309	6308
15	1200	284T	5.5	10	0.53	4.75	2.47	11.7	8	6.85	6.3	12.9	11.5	26.5	7	1.1	2.65	14.5	15.5	2.57	4.62	4.38	1.857	1.59	0.5	3.28	6311	6309
20	1200	286T	5.5	9.5	0.53	4.75	2.47	11.7	9	6.85	6.3	12.9	13	28	7	1.1	2.65	14.5	15.5	4.62	4.62	4.38	1.857	1.59	0.5	3.28	6311	6309
25	1200	324T	6.25	11	0.66	5.25	2.47	14.37	11.7	8.26	7.7	15.27	12.68	29.7	8	1.1	2.75	15.9	15.7	2.57	5.25	5	2.125	1.85	0.5	3.88	6312	6311
30	1200	326T	6.25	10.5	0.66	5.25	2.47	14.37	11.7	8.26	7.7	15.27	14.92	31.3	8	1.1	2.75	15.9	15.7	2.57	5.25	5	2.125	1.85	0.5	3.88	6312	6311
40	1200	364T	7	12	0.66	5.88	3.59	17.32	14.6	8.26	7.7	16.4	14.4	32.5	9	1.1	2.95	18.1	17.6	2.57	5.88	5.75	2.375	2.02	0.625	4.25	6313	6312
50	1200	404T	7		0.66	5.88	3.59	17.32	14.6	8.26	7.7	16.4	14.4	33.5	9	1.1	2.95	18.1	17.6	2.57	5.88	5.75	2.375	2.02	0.625	4.25	6313	6312