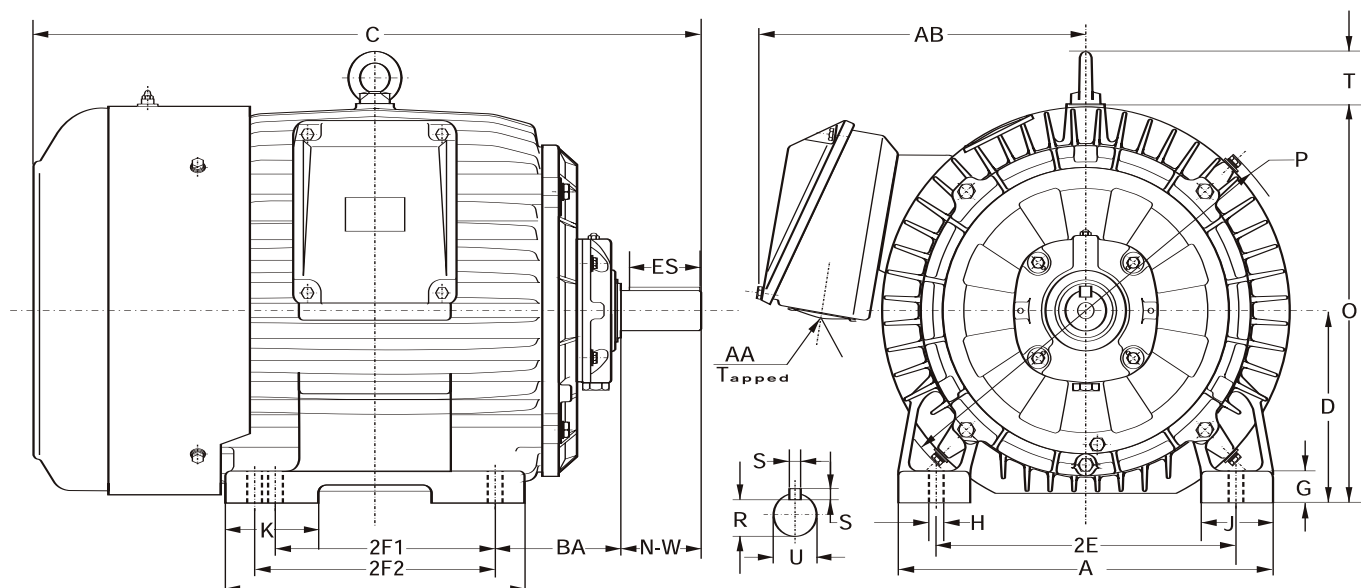
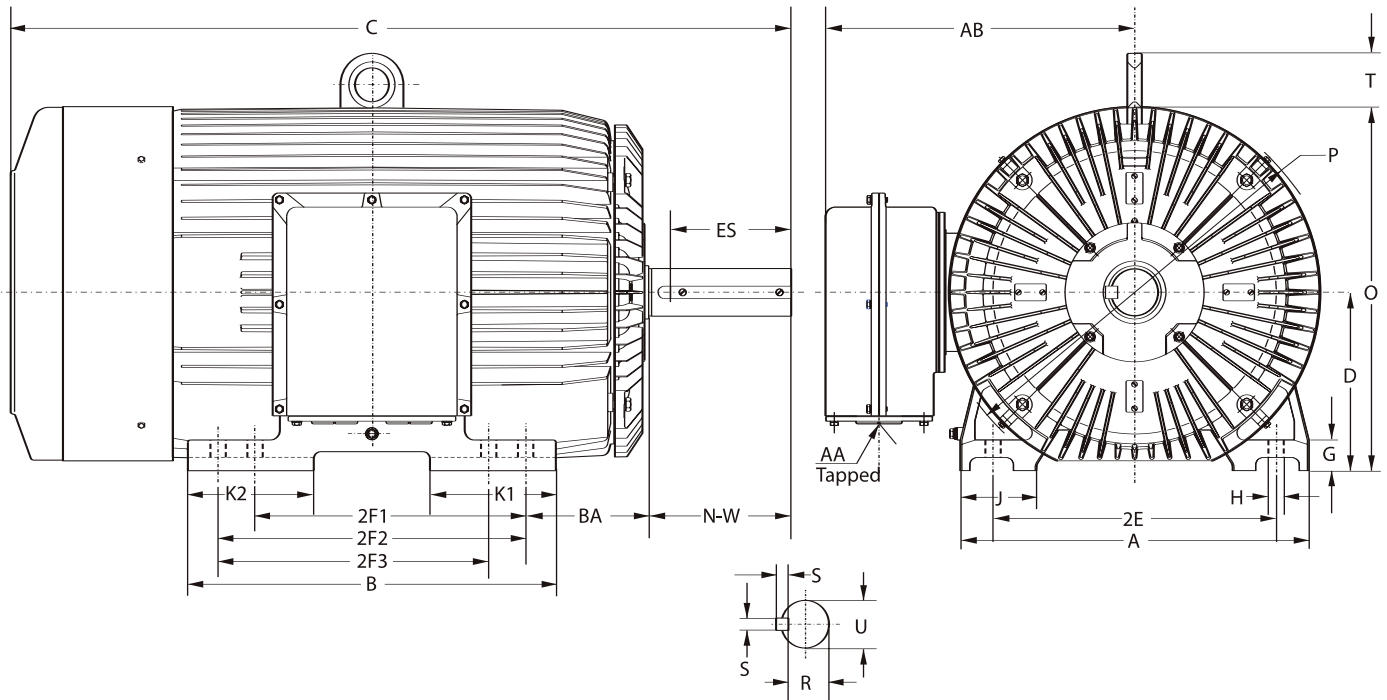


NEMA Footmounted 324T-447T



Motor Frame	Number of Poles	Mounting Dimensions											Overall Dimensions										
		D	2E	2F1	2F2	G	H	Shaft End						A	AA	AB	B	C	J	K	O	P	T
								BA	ES	N-W	R	S	U										
324TS	2	8.00	12.50	10.50	...	1.38	0.66	5.25	2.75	3.75	1.591	0.500	1.875	15.80	2	14.00	13.40	29.20	3.15	3.94	16.70	17.70	2.50
324T	4,6	8.00	12.50	10.50	...	1.38	0.66	5.25	4.33	5.25	1.845	0.500	2.125	15.80	2	14.00	13.40	30.70	3.15	3.94	16.70	17.70	2.50
324T	8	8.00	12.50	10.50	...	1.38	0.66	5.25	4.33	5.25	1.845	0.500	2.125	15.80	2	14.00	13.40	31.30	3.15	3.94	16.70	17.70	2.50
326TS	2	8.00	12.50	10.50	12.00	1.38	0.66	5.25	2.75	3.75	1.591	0.500	1.875	15.80	2	14.00	14.90	30.70	3.15	3.94	16.70	17.70	2.50
326T	4,6	8.00	12.50	10.50	12.00	1.38	0.66	5.25	4.33	5.25	1.845	0.500	2.125	15.80	2	14.00	14.90	32.30	3.15	3.94	16.70	17.70	2.50
326T	8	8.00	12.50	12.00	...	1.38	0.66	5.25	4.33	5.25	1.845	0.500	2.125	15.80	2	14.00	14.90	32.90	3.15	3.94	16.70	17.70	2.50
364TS	2	9.00	14.00	11.25	...	1.49	0.66	5.88	2.75	3.75	1.591	0.500	1.875	17.50	3	15.40	14.00	31.50	3.35	4.33	18.80	19.90	2.50
364T	4	9.00	14.00	11.25	...	1.49	0.66	5.88	4.92	5.88	2.021	0.625	2.375	17.50	3	15.40	14.00	33.70	3.35	4.33	18.80	19.90	2.50
364T	6,8	9.00	14.00	11.25	...	1.49	0.66	5.88	4.92	5.88	2.021	0.625	2.375	17.50	3	15.40	14.00	34.30	3.35	4.33	18.80	19.90	2.50
365TS	2	9.00	14.00	11.25	12.25	1.49	0.66	5.88	2.75	3.75	1.591	0.500	1.875	17.50	3	15.40	15.00	32.50	3.35	4.33	18.80	19.90	2.50
365T	4	9.00	14.00	11.25	12.25	1.49	0.66	5.88	4.92	5.88	2.021	0.625	2.375	17.50	3	15.40	15.00	34.70	3.35	4.33	18.80	19.90	2.50
365T	6,8	9.00	14.00	12.25	...	1.49	0.66	5.88	4.92	5.88	2.021	0.625	2.375	17.50	3	15.40	15.00	35.30	3.35	4.33	18.80	19.90	2.50
404T	6	10.00	16.00	12.25	...	1.57	0.81	6.62	6.30	7.25	2.450	0.750	2.875	19.50	3	16.30	16.50	40.40	3.54	4.72	20.50	21.10	2.95
405TS	2	10.00	16.00	13.75	...	1.57	0.81	6.62	3.50	4.25	1.845	0.500	2.125	19.50	3	16.30	16.50	36.30	3.54	4.72	20.50	21.10	2.95
405T	4	10.00	16.00	13.75	12.25	1.57	0.81	6.62	6.30	7.25	2.450	0.750	2.875	19.50	3	16.30	16.50	40.40	3.54	4.72	20.50	21.10	2.95
405T	6,8	10.00	16.00	13.75	12.25	1.57	0.81	6.62	6.30	7.25	2.450	0.750	2.875	19.50	3	16.30	16.50	40.40	3.54	4.72	20.50	21.10	2.95
444TS	2	11.00	18.00	14.50	16.50	1.57	0.81	7.50	4.30	4.75	2.021	0.625	2.375	22.10	2 X 3	18.70	20.50	39.20	3.94	6.50	23.10	24.30	2.95
444T	4	11.00	18.00	14.50	16.50	1.57	0.81	7.50	7.90	8.50	2.880	0.875	3.375	22.10	2 X 3	18.70	20.50	43.00	3.94	6.50	23.10	24.30	2.95
444T	6,8	11.00	18.00	14.50	...	1.57	0.81	7.50	7.90	8.50	2.880	0.875	3.375	22.10	2 X 3	18.70	18.50	44.10	3.94	5.51	23.10	24.30	2.95
445TS	2	11.00	18.00	14.50	16.50	1.57	0.81	7.50	4.30	4.75	2.021	0.625	2.375	22.10	2 X 3	18.70	20.50	39.20	3.94	6.50	23.10	24.30	2.95
445T	4	11.00	18.00	14.50	16.50	1.57	0.81	7.50	7.90	8.50	2.880	0.875	3.375	22.10	2 X 3	18.70	20.50	43.00	3.94	6.50	23.10	24.30	2.95
445T	6,8	11.00	18.00	16.50	...	1.57	0.81	7.50	7.90	8.50	2.880	0.875	3.375	22.10	2 X 3	18.70	20.50	46.10	3.94	5.51	23.10	24.30	2.95
447TS	2	11.00	18.00	16.50	20.00	1.57	0.81	7.50	4.30	4.75	2.021	0.625	2.375	22.10	2 X 3	18.70	24.00	45.60	3.94	6.50	23.10	24.30	2.95
447T	4	11.00	18.00	16.50	20.00	1.57	0.81	7.50	7.90	8.50	2.880	0.875	3.375	22.10	2 X 3	18.70	24.00	47.30	3.94	5.51	23.10	24.30	2.95
Note:		326 base suitable for 324 frame mounting. 405 base suitable for 404 frame mounting. 445 base suitable for 444 frame mounting.											365 base suitable for 364 frame mounting. 444 base suitable for 445 frame mounting.										

NEMA Footmounted 447T-587



Motor Frame	Number of Poles	Mounting Dimensions											Overall Dimensions												
		D	2E	2F1	2F2	2F3	G	H	Shaft End						A	AA	AB	B	C	J	K1	K2	O	P	T
								BA	ES	N-W	R	S	U												
447T	4,6,8	11.00	18.00	...	20.00	...	1.55	0.81	7.50	6.875	8.500	2.880	0.875	3.375	22.05	2 X 3	24.52	23.62	49.59	3.94	5.59	5.59	25.87	23.62	3.15
449T	4,6	11.00	18.00	20.00	25.00	20.00	1.55	0.81	7.50	7.870	8.500	2.880	0.875	3.375	21.97	2 X 3	23.85	29.72	55.10	5.20	9.72	9.72	22.90	25.00	4.66
449TZ	4,6	11.00	18.00	20.00	25.00	20.00	1.55	0.81	7.50	8.500	10.125	2.880	0.875	3.375	21.97	2 X 3	23.85	29.72	56.80	5.20	9.72	9.72	22.90	25.00	4.66
505UZ	6	12.50	20.00	...	18.00	...	2.48	1.25	8.50	8.860	10.625	3.134	0.875	3.625	25.20	2 x 3	24.86	21.66	52.42	5.25	5.90	5.90	24.85	29.90	4.83
586	4,6,8	14.50	23.00	22.00	25.00	...	2.48	1.25	10.00	9.842	11.625	3.309	1.000	3.875	28.34	2 X 3	25.12	29.92	60.63	6.22	8.07	10.40	33.94	30.60	4.827
587	4,6	14.50	23.00	22.00	25.00	...	2.48	1.25	10.00	9.842	11.625	3.309	1.000	3.875	28.34	2 X 3	25.12	29.92	63.50	6.22	7.28	10.24	33.94	30.60	4.827
Note:		449 base suitable for 447 frame mounting.																							
		586 base suitable for 587 frame mounting (for F1 position only).																							
		587 base suitable for 586 frame mounting (for F1 position only).																							