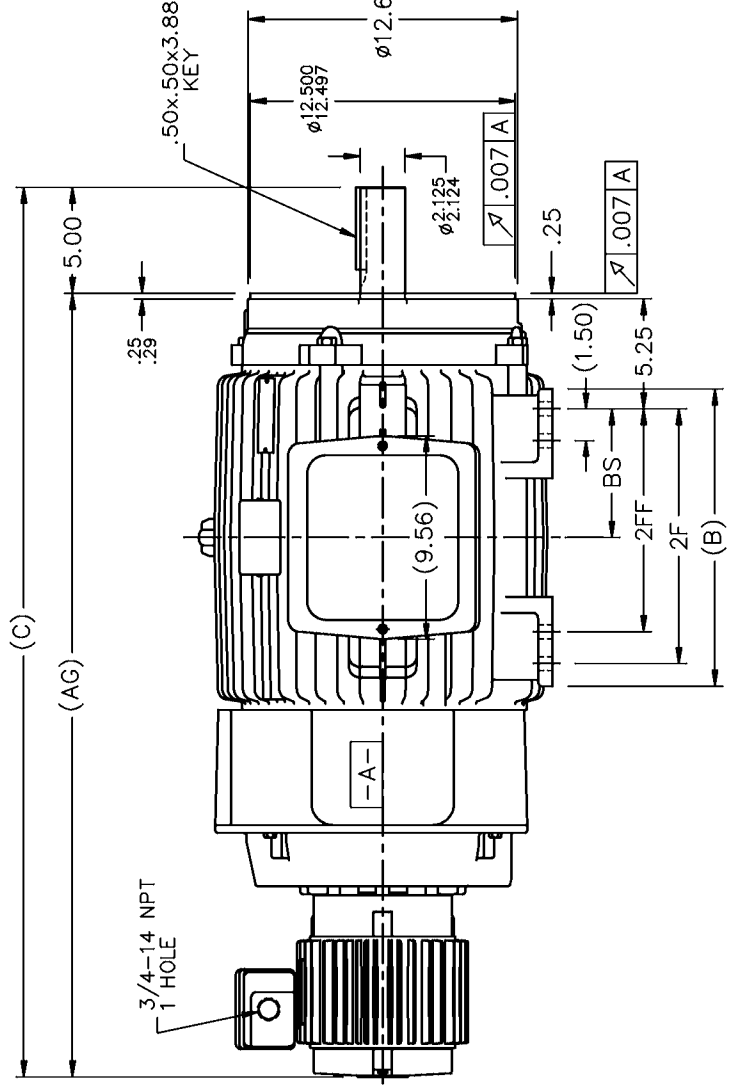


F2 VIEW



- NOTES:
1. C.BOX CAN BE ROTATED IN 90° STEPS
 2. C.BOX CAN BE MOUNTED ON OPPOSITE SIDE BY REMOVING BRACKETS AND TURNING FRAME 180°
 3. NAMEPLATES TO BE READ FROM CONDUIT BOX SIDE OF MOTOR

TOLERANCES UNLESS SPECIFIED		DRAWN MSG 01-10-2002	
DEC.	INCHES	CHK	ML
X	±.1	ML	01-14-2002
XX	±.03	APPD	TLB 01-14-2002
XXX	±.005	SCALE	1=6
XXXX	±.0005	TITLE	OUTLINE - TEFC
XXXXX	±.0005	MATL	320 FR. - BB - STD - 12.50 LAM - C'FACE
ANG	±7'30"	FINISH	
CHK	BY & DATE	FINISH	
MSG 01-14-2002	MSG 01-14-2002	FINISH	
NO.	REVISION	PREV	
1	NEW DRAWING CN 30955	PREV	
1475	324T	35.41	14.00
1625	326T	41.91	36.91
DASH	FRAME	C	AG
		B	B
		2F	2FF
		BS	BS
		5.25	5.25
		6.00	6.00
		10.50	10.50
		12.00	12.00
		2F	2F
		2FF	2FF
		BS	BS
		REV.	1
		SIZE	B
		DRAWING NO.	SS311268
		PAGE	1
		OF	1