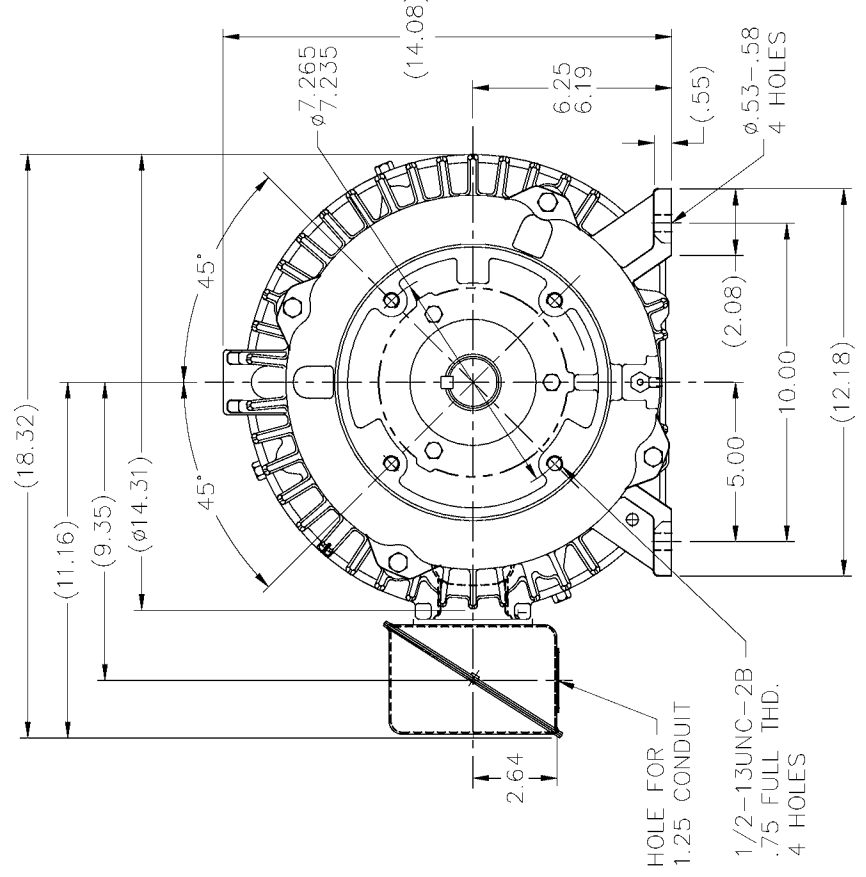


- NOTES:
1. BOX CAN BE ROTATED ON ITS AXIS.
 2. BOX CAN BE MOUNTED ON OPPOSITE SIDE BY REMOVING BRACKETS AND TURNING FRAME 180°.
 3. NAMEPLATE TO BE READ FROM CONDUIT BOX SIDE OF MOTOR.



NO.	REVISION	BY & DATE	CHK	ANG	PREV
5	REDRAWN IN AUTOCAD	TAT 06-24-2005	DRS	X	±1
4	UPDATED SHAFT COVER ON O.D.E. CN 29100-1577	DRS 03-13-2001	XX	±.03	
3	REVISED TO NEC CONDUIT BOX CN 28427	NJS 08-28-2000	XXX	±.005	
2	FRONT EXT. WAS .625 DIA. CN 29100-413	MJD 04-19-2000	XXXX	±.0005	

NO.	REV.	DESCRIPTION
1	1	ISSUED FOR PRODUCTION

NO.	REV.	DESCRIPTION
1	1	ISSUED FOR PRODUCTION

NO.	REV.	DESCRIPTION
1	1	ISSUED FOR PRODUCTION

NO.	REV.	DESCRIPTION
1	1	ISSUED FOR PRODUCTION

NO.	REV.	DESCRIPTION
1	1	ISSUED FOR PRODUCTION

NO.	REV.	DESCRIPTION
1	1	ISSUED FOR PRODUCTION